

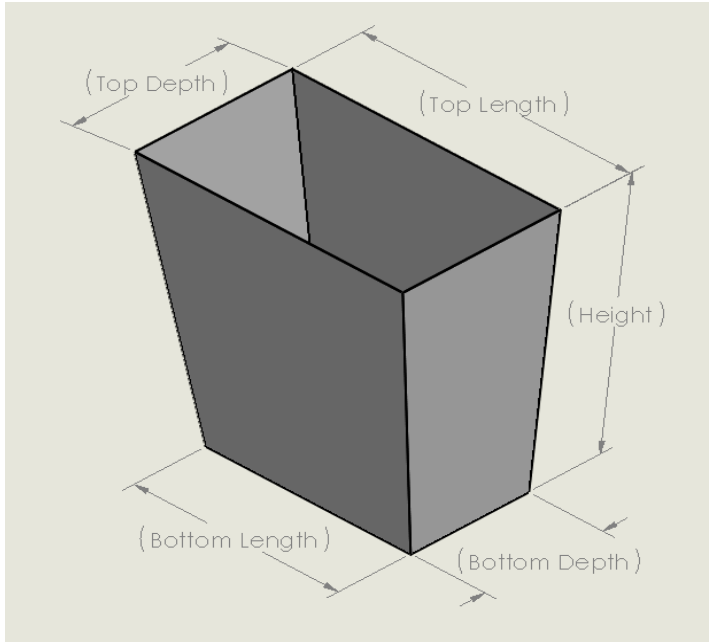
V-Taper Rainhead

Customer Name: _____

Customer ID: _____

V-Taper Rainhead 1:

Qty Required: _____



Top Length: _____

Top Depth: _____

Height: _____

Bottom Length: _____

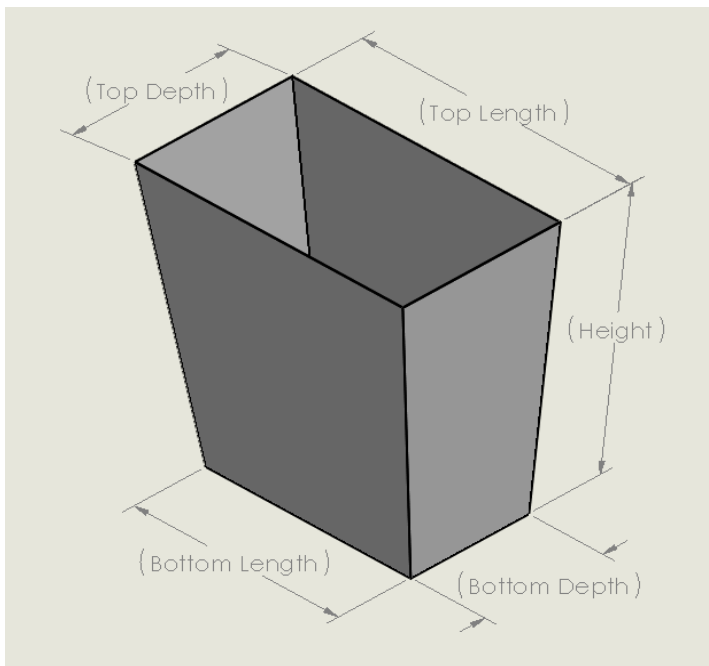
Bottom Depth: _____

Finish Required: _____

Colour (If Colourbond):

V-Taper Rainhead 2:

Qty Required: _____



Top Length: _____

Top Depth: _____

Height: _____

Bottom Length: _____

Bottom Depth: _____

Finish Required: _____

Colour (If Colourbond):
