

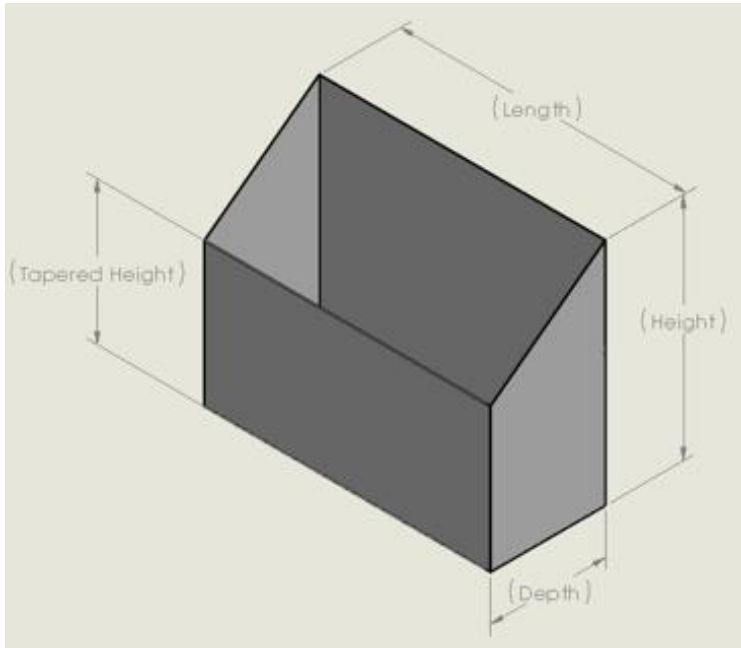
Tapered Rainhead

Customer Name: _____

Customer ID: _____

Tapered Rainhead 1:

Qty Required: _____



Length: _____

Depth: _____

Height: _____

Tapered Height: _____

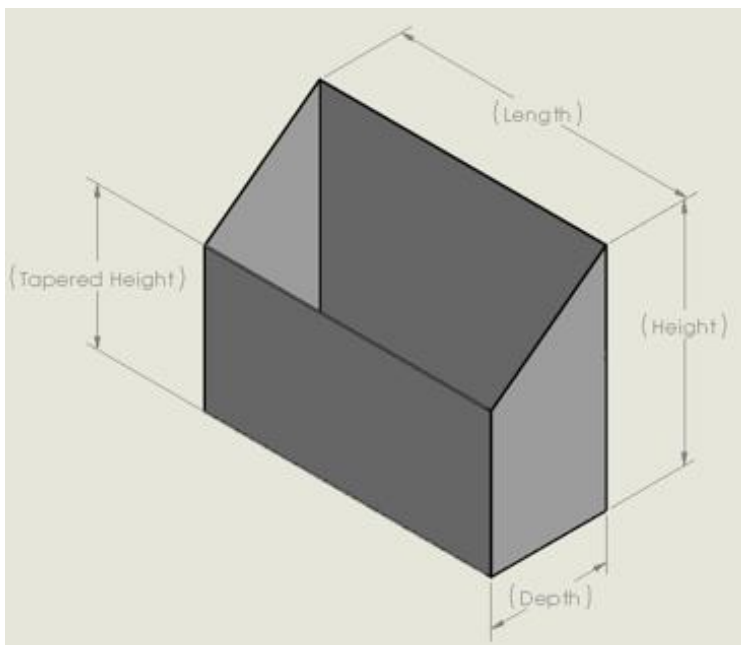
Finish Required: _____

Colour (If Colourbond):

Colour Inside/Outside:

Tapered Rainhead 2:

Qty Required: _____



Length: _____

Depth: _____

Height: _____

Tapered Height: _____

Finish Required: _____

Colour (If Colourbond):

Colour Inside/Outside:
