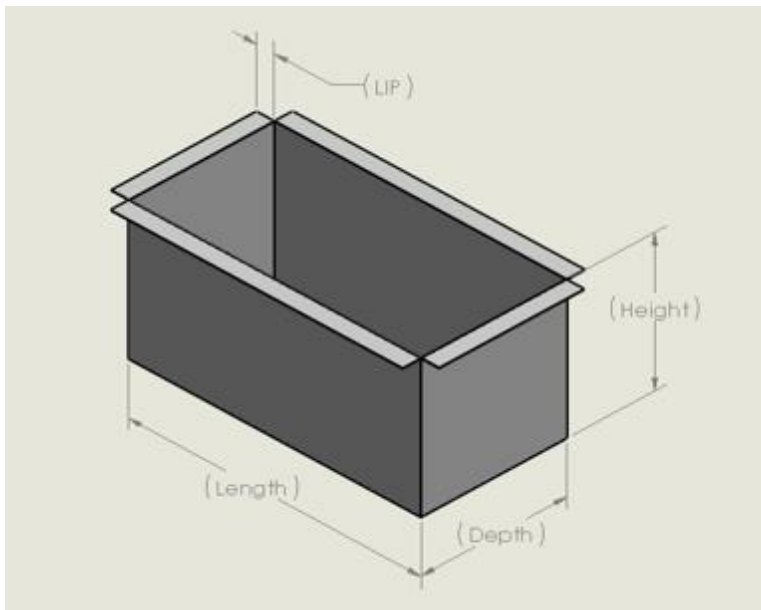


## Standard Sump

Customer Name: \_\_\_\_\_

Customer ID: \_\_\_\_\_

### Sump 1:



Qty Required: \_\_\_\_\_

Length: \_\_\_\_\_

Depth: \_\_\_\_\_

Height: \_\_\_\_\_

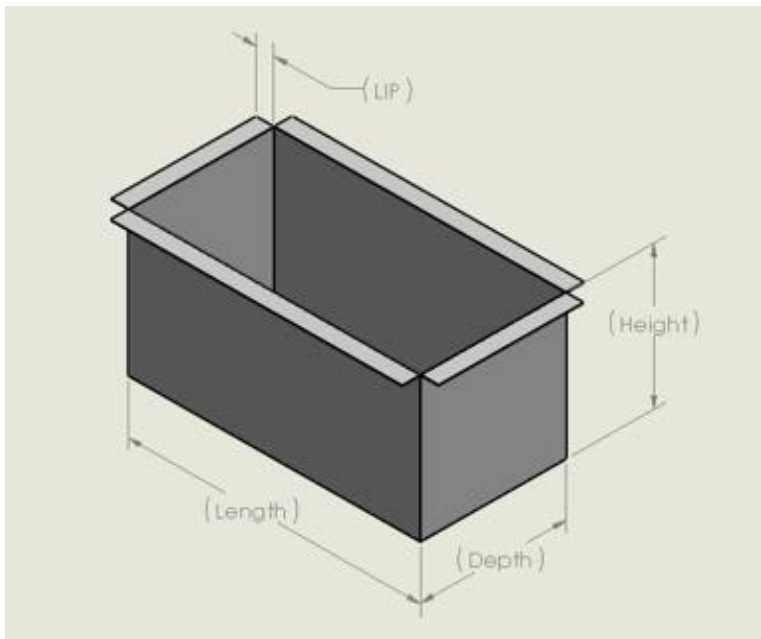
Lip Width: \_\_\_\_\_

Finish Required: \_\_\_\_\_

Colour (If Colourbond):  
\_\_\_\_\_

Colour Inside/Outside:  
\_\_\_\_\_

### Sump 2:



Qty Required: \_\_\_\_\_

Length: \_\_\_\_\_

Depth: \_\_\_\_\_

Height: \_\_\_\_\_

Lip Width: \_\_\_\_\_

Finish Required: \_\_\_\_\_

Colour (If Colourbond):  
\_\_\_\_\_

Colour Inside/Outside:  
\_\_\_\_\_