

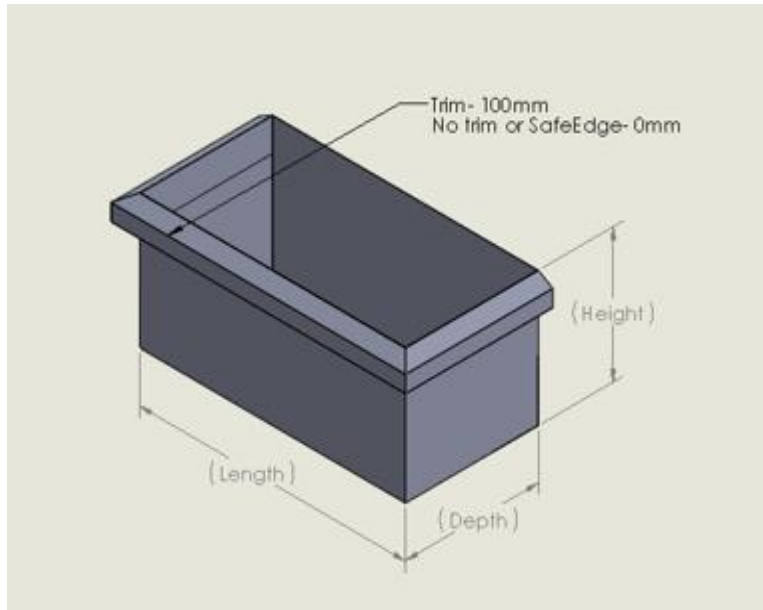
Standard Rainhead

Customer Name: _____

Customer ID: _____

Rainhead 1:

Qty Required: _____



Length: _____

Depth: _____

Height: _____

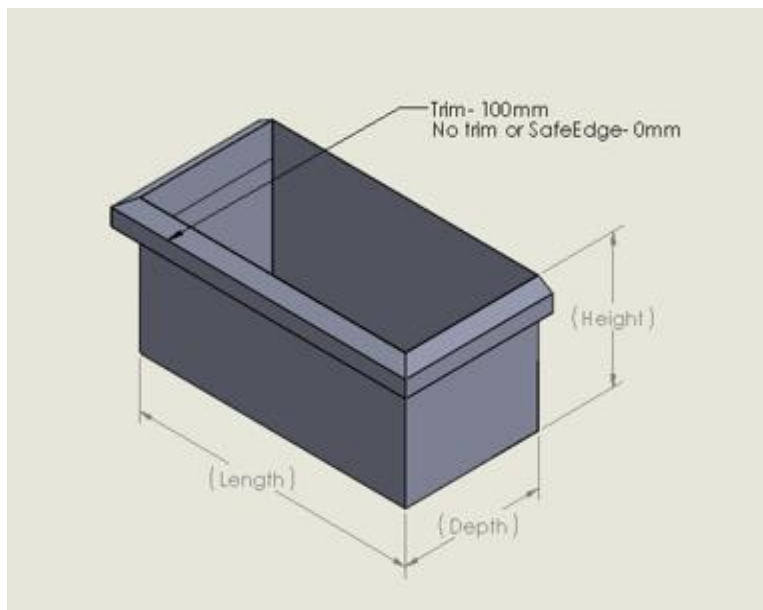
Finish Required: _____

Trim/Safe Edge:

Colour (If Colourbond):

Rainhead 2:

Qty Required: _____



Length: _____

Depth: _____

Height: _____

Finish Required: _____

Trim/Safe Edge:

Colour (If Colourbond):
