

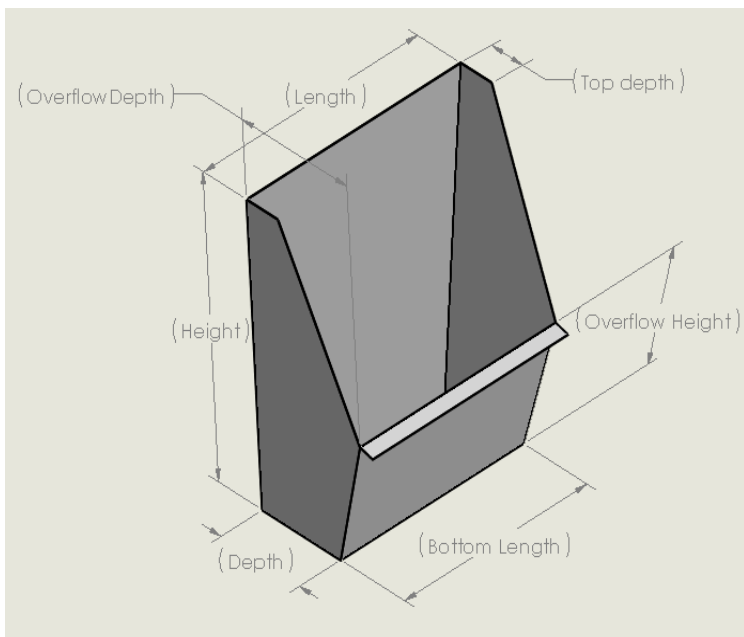
Open Face Rainhead

Customer Name: _____

Customer ID: _____

Open Face Rainhead 1: (Colour is Inside on the back panel)

Qty Required: _____



Length: _____

Depth: _____

Height: _____

Bottom Length: _____

Overflow Depth: _____

Overflow Height: _____

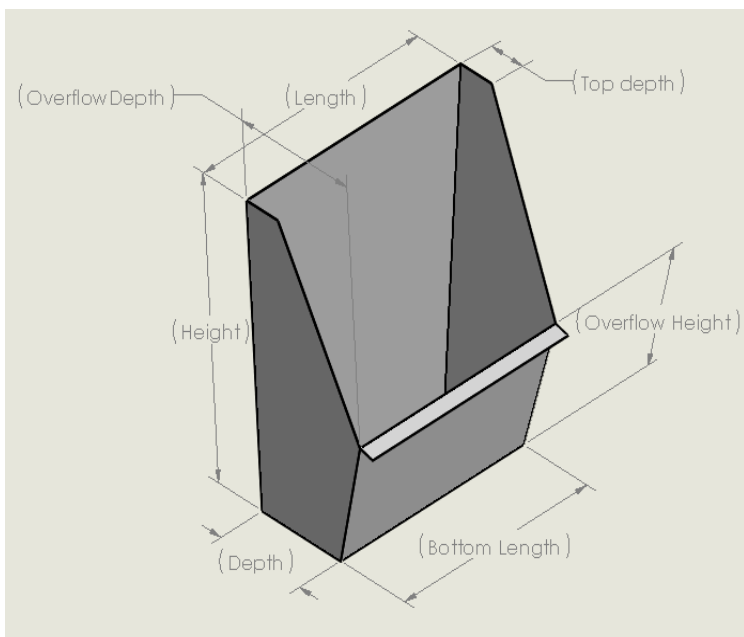
Top Depth: _____

Finish Required: _____

Colour (If Colourbond):

Open Face Rainhead 2: (Colour is Inside on the back panel)

Qty Required: _____



Length: _____

Depth: _____

Height: _____

Bottom Length: _____

Overflow Depth: _____

Overflow Height: _____

Top Depth: _____

Finish Required: _____

Colour (If Colourbond):
