

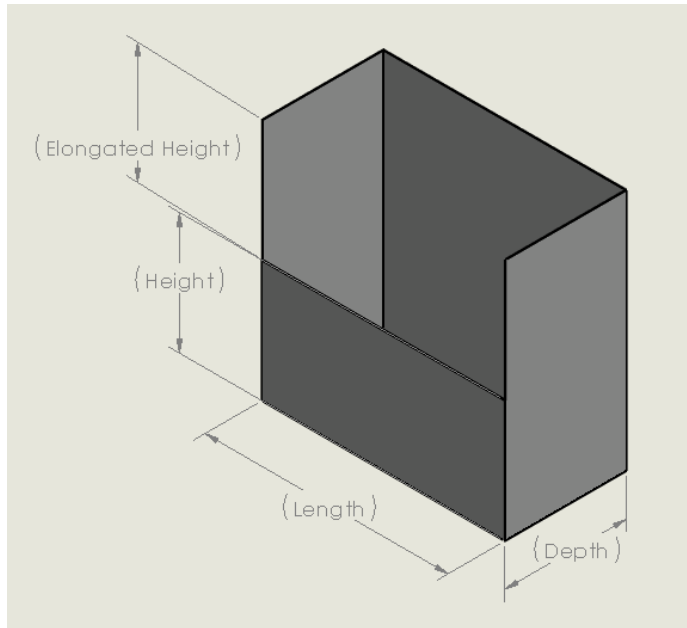
Low Front Rainhead

Customer Name: _____

Customer ID: _____

Low Front Rainhead 1:

Qty Required: _____



Length: _____

Depth: _____

Height: _____

Elongated Height: _____

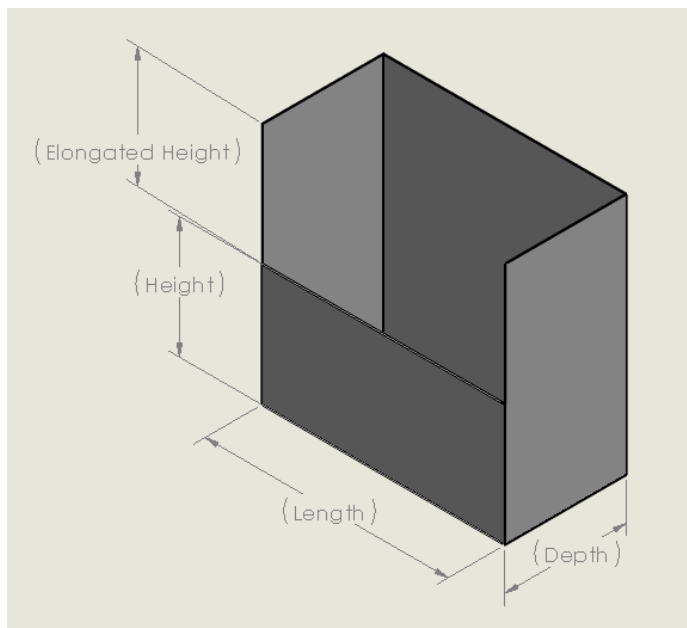
Finish Required: _____

Colour (If Colourbond):

Colour Inside/Outside:

Low Front Rainhead 2:

Qty Required: _____



Length: _____

Depth: _____

Height: _____

Elongated Height: _____

Finish Required: _____

Colour (If Colourbond):

Colour Inside/Outside:
