

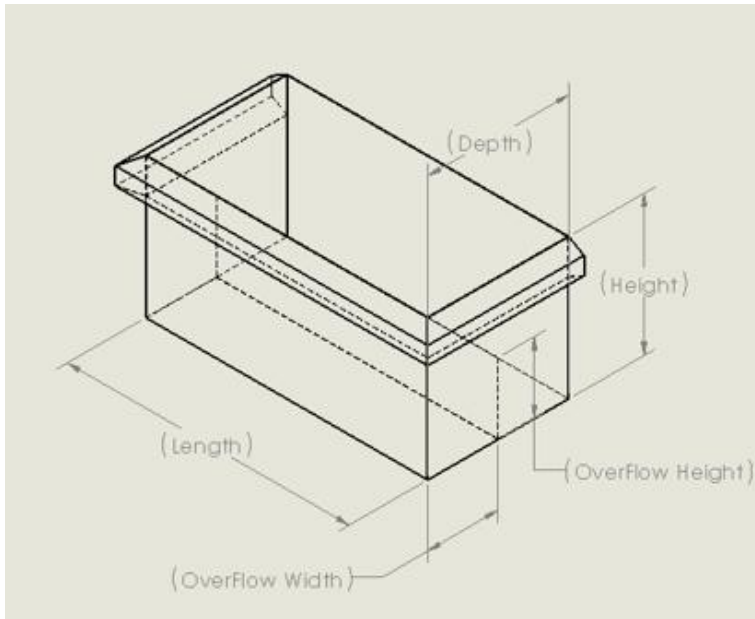
## *Internal Overflow Rainhead*

Customer Name: \_\_\_\_\_

Customer ID: \_\_\_\_\_

**Internal Overflow Rainhead 1:**

Qty Required: \_\_\_\_\_



Length: \_\_\_\_\_

Depth: \_\_\_\_\_

Height: \_\_\_\_\_

Overflow Width: \_\_\_\_\_

Overflow Height: \_\_\_\_\_

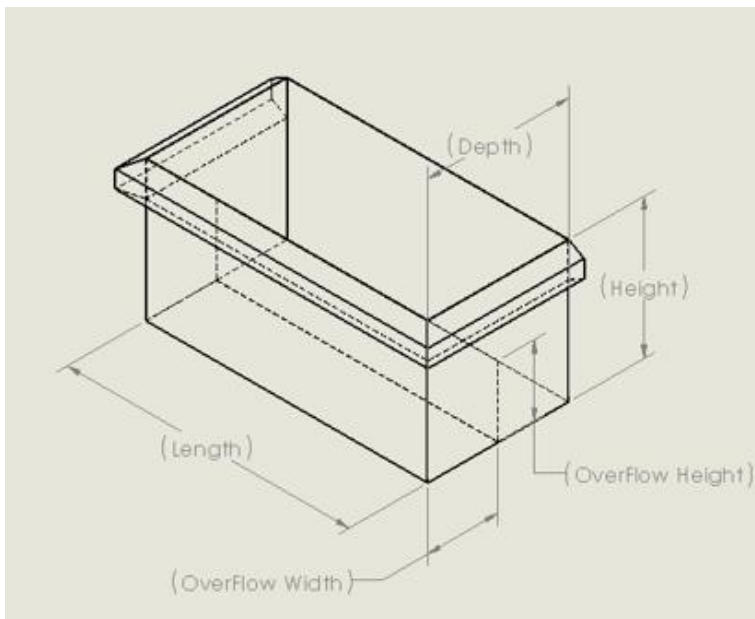
Finish Required: \_\_\_\_\_

Trim/Safe Edge: \_\_\_\_\_

Colour (If Colourbond): \_\_\_\_\_

**Internal Overflow Rainhead 2:**

Qty Required: \_\_\_\_\_



Length: \_\_\_\_\_

Depth: \_\_\_\_\_

Height: \_\_\_\_\_

Overflow Width: \_\_\_\_\_

Overflow Height: \_\_\_\_\_

Finish Required: \_\_\_\_\_

Trim/Safe Edge: \_\_\_\_\_

Colour (If Colourbond): \_\_\_\_\_