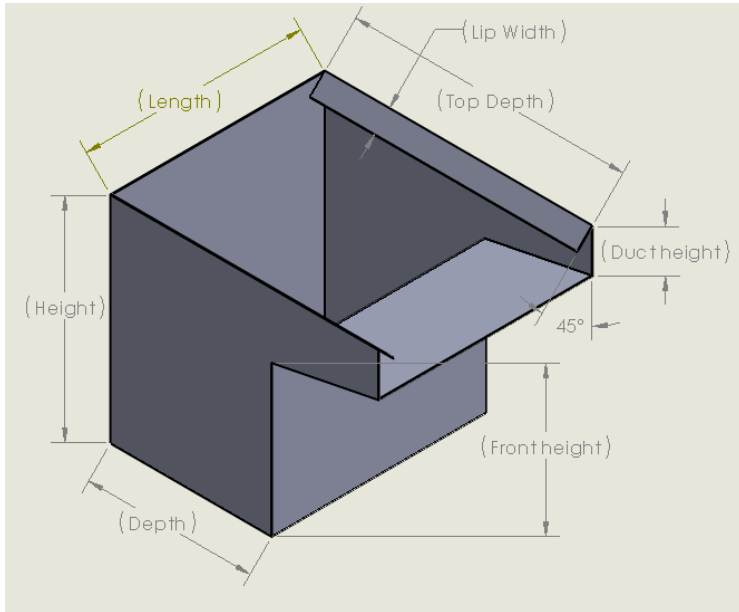


High-Capacity Sump

Customer Name: _____

Customer ID: _____



Qty Required: _____

Length: _____

Duct Height: _____

Top Depth: _____

Depth: _____

Height: _____

Finish Required: _____

Front Height: _____

Colour (If Colourbond): _____

Lip Width (at 45°): _____

Colour Inside/Outside: _____

Images showing VBA Guidelines for High-Capacity Sump

