

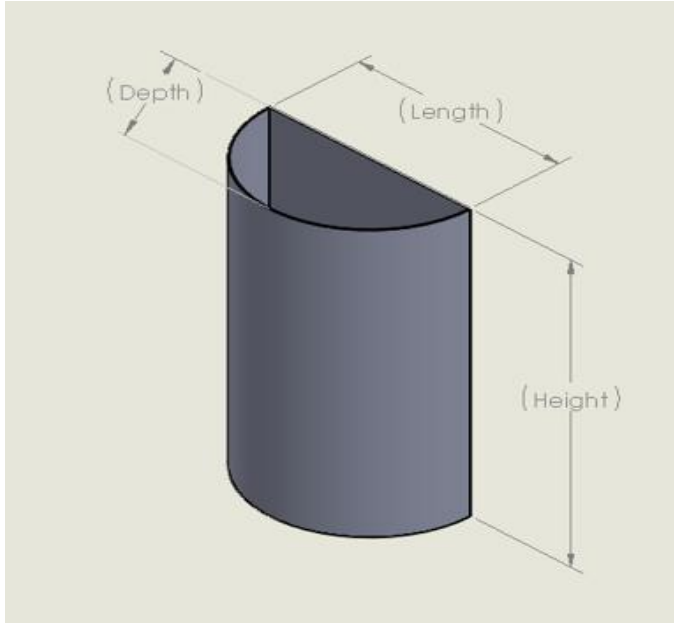
## Half Round Rainhead

Customer Name: \_\_\_\_\_

Customer ID: \_\_\_\_\_

Half Round Rainhead 1:

Qty Required: \_\_\_\_\_



Length: \_\_\_\_\_

Depth: \_\_\_\_\_

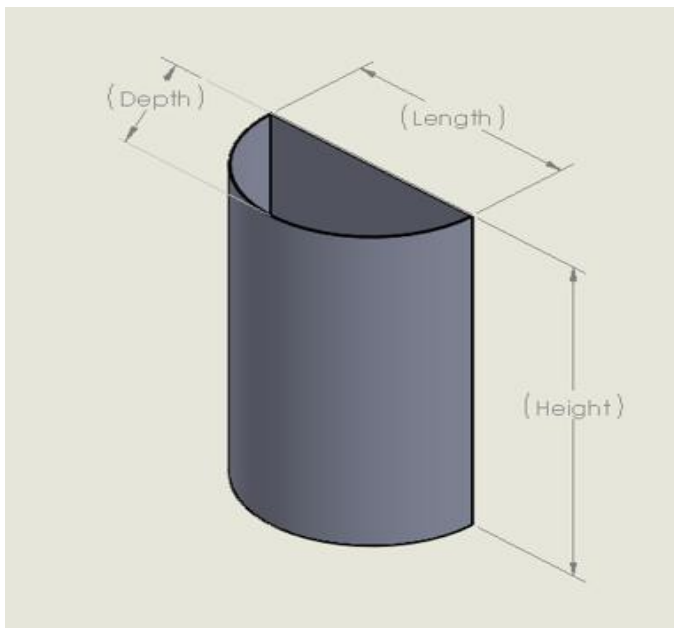
Height: \_\_\_\_\_

Finish Required: \_\_\_\_\_

Colour (If Colourbond):  
\_\_\_\_\_

Half Round Rainhead 2:

Qty Required: \_\_\_\_\_



Length: \_\_\_\_\_

Depth: \_\_\_\_\_

Height: \_\_\_\_\_

Finish Required: \_\_\_\_\_

Colour (If Colourbond):  
\_\_\_\_\_