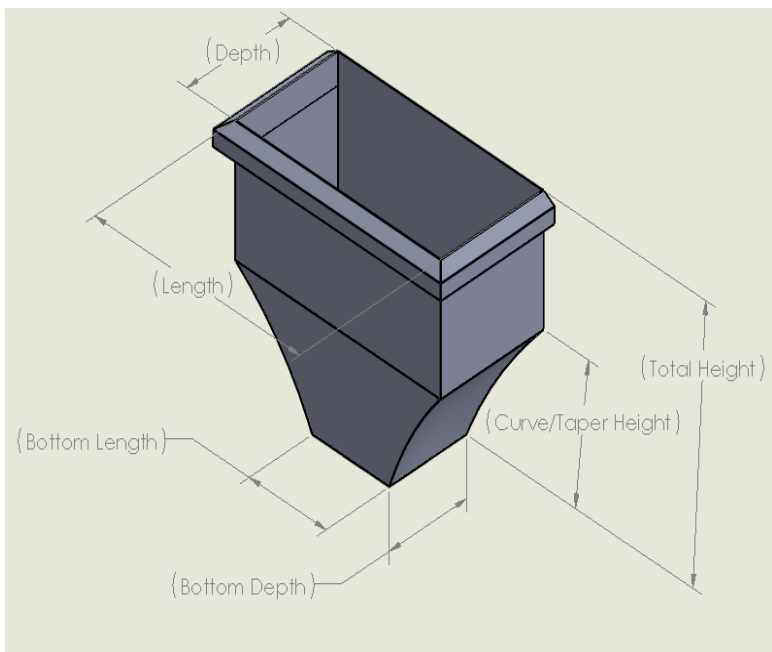


Boutique Rainhead-Curved/Tapered

Customer Name: _____

Customer ID: _____

Boutique Rainhead 1:



Qty Required: _____

Length: _____

Depth: _____

Total Height: _____

Bottom Length: _____

Bottom Depth: _____

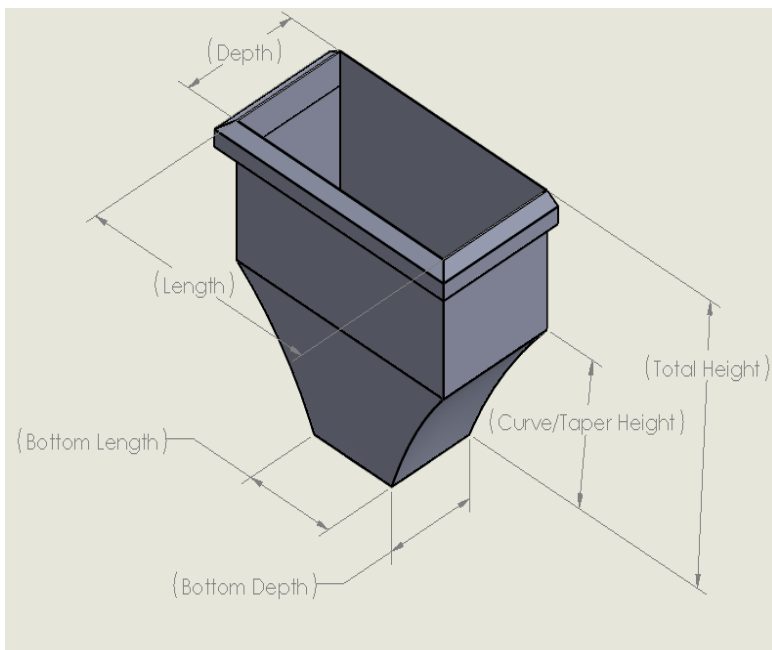
Curved Or Tapered: _____

Curve/Taper Height: _____

Finish Required: _____

Colour (If Colourbond): _____

Boutique Rainhead 2:



Qty Required: _____

Length: _____

Depth: _____

Total Height: _____

Bottom Length: _____

Bottom Depth: _____

Curved Or Tapered: _____

Curve/Taper Height: _____

Finish Required: _____

Colour (If Colourbond): _____