

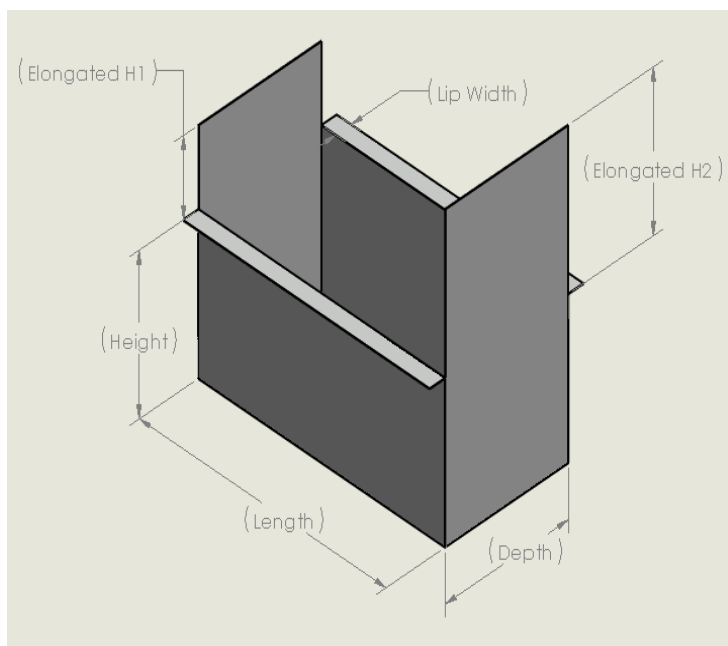
## 2-Sided Sump

Customer Name: \_\_\_\_\_

Customer ID: \_\_\_\_\_

### 2-Sided Sump 1:

Qty Required: \_\_\_\_\_



Length: \_\_\_\_\_

Depth: \_\_\_\_\_

Height: \_\_\_\_\_

Elongated Height 1: \_\_\_\_\_

Elongated Height 2: \_\_\_\_\_

Lip Width: \_\_\_\_\_

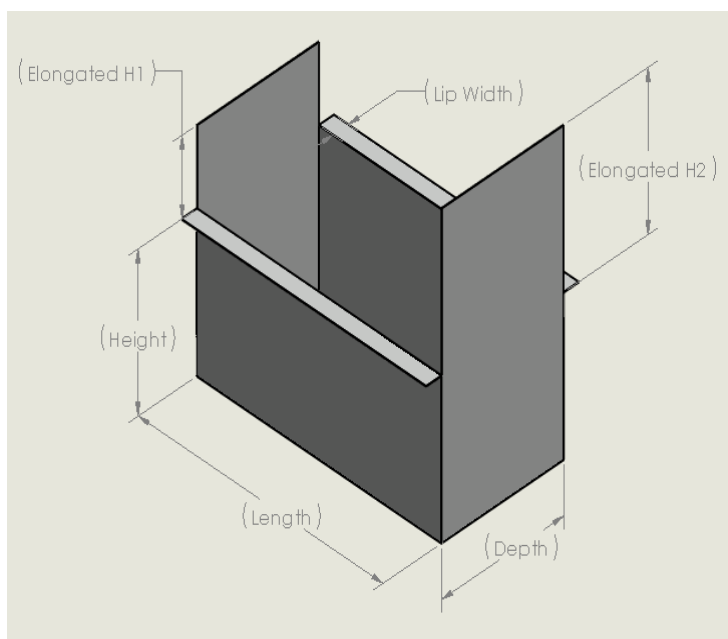
Finish Required: \_\_\_\_\_

Colour (If Colourbond):  
\_\_\_\_\_

Colour Inside/Outside: \_\_\_\_\_

### 2-Sided Sump 2:

Qty Required: \_\_\_\_\_



Length: \_\_\_\_\_

Depth: \_\_\_\_\_

Height: \_\_\_\_\_

Elongated Height 1: \_\_\_\_\_

Elongated Height 2: \_\_\_\_\_

Lip Width: \_\_\_\_\_

Finish Required: \_\_\_\_\_

Colour (If Colourbond):  
\_\_\_\_\_

Colour Inside/Outside: \_\_\_\_\_