

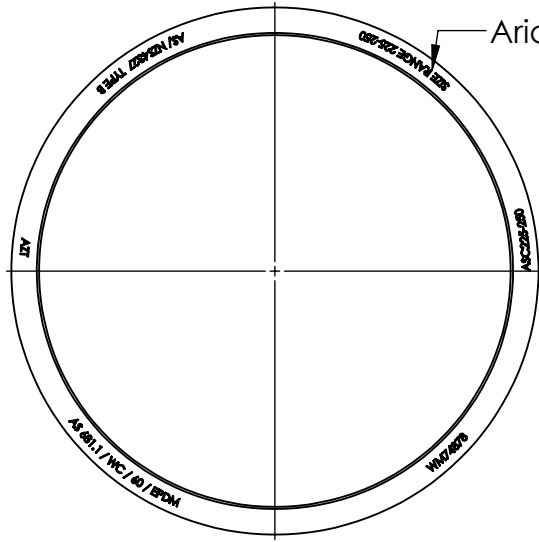
2

1

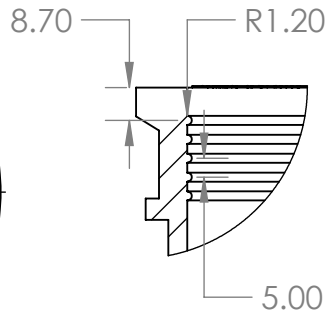
# Aztec Shear Banded Coupling 225-250mm

B

B



Aerial Embossed 0.4mm Deep



DETAIL B  
SCALE 1 : 2



### Description

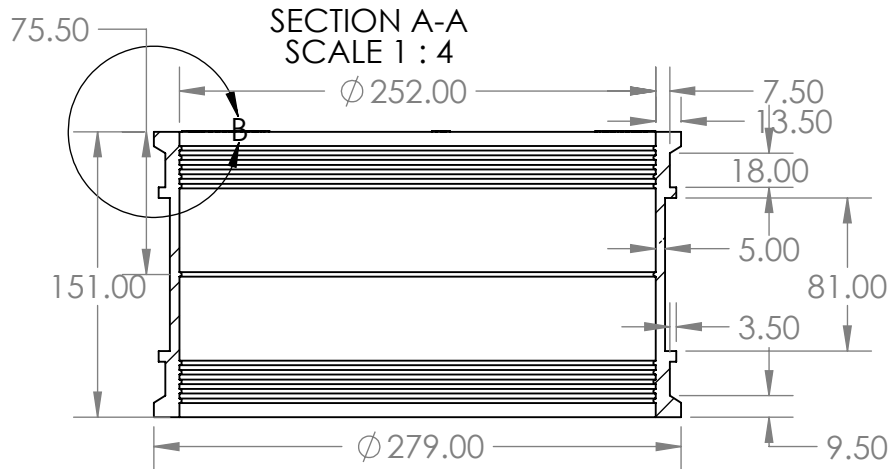
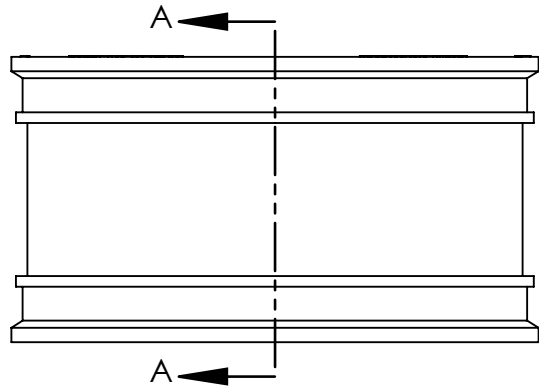
Aztec now has a range of Shielded Couplings designed for robust Aussie conditions. Specifically designed for the connection or the repair of pipes on sewer and drainage lines.

The additional stainless-steel wrap around coupling supports the middle section, allowing the pipes to stay aligned and ensure minimal pipe displacement in robust conditions.

- Additional wrap around stainless steel coupling to withstand robust conditions
- Withstands an internal pressure of up to 1 bar
- Stainless steel shielded band prevents pipe displacement
- Complies with AS/NZS 4327-1995
- WaterMark® approved
- Wasa Approved

A

A



DIMENSIONS ARE IN INCHES  
TOLERANCES:  
FRACTIONAL ±  
ANGULAR: MACH ± BEND ±  
TWO PLACE DECIMAL ±  
THREE PLACE DECIMAL ±

	NAME	DATE
DRAWN		
CHECKED		
MFG APPR.		
Q.A.		

TITLE:		
ASC225-250		
SIZE	DWG. NO.	REV



**PROPRIETARY AND CONFIDENTIAL**  
THE INFORMATION CONTAINED IN THIS DRAWING IS THE SOLE PROPERTY OF <INSERT COMPANY NAME HERE>. ANY REPRODUCTION IN PART OR AS A WHOLE WITHOUT THE WRITTEN PERMISSION OF <INSERT COMPANY NAME HERE> IS PROHIBITED.

INTERPRET GEOMETRIC TOLERANCING PER:
MATERIAL
FINISH
DO NOT SCALE DRAWING

COMMENTS:

SIZE	DWG. NO.	REV
A		
SCALE: 1:5	WEIGHT:	SHEET 1 OF 1

2

1