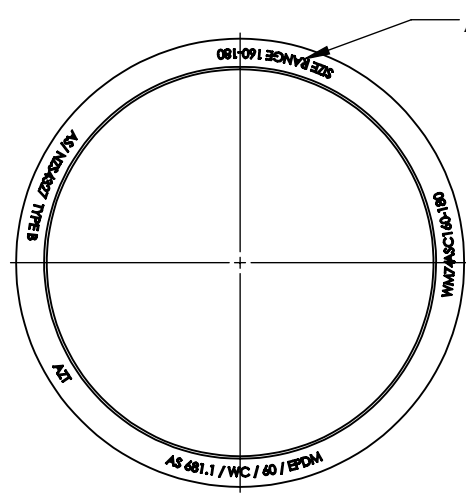
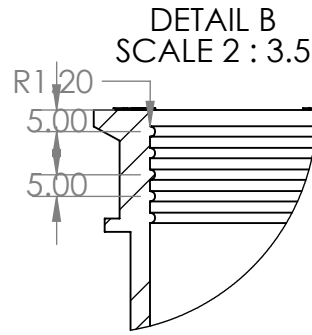


Aztec Shear Banded Coupling 160-180mm



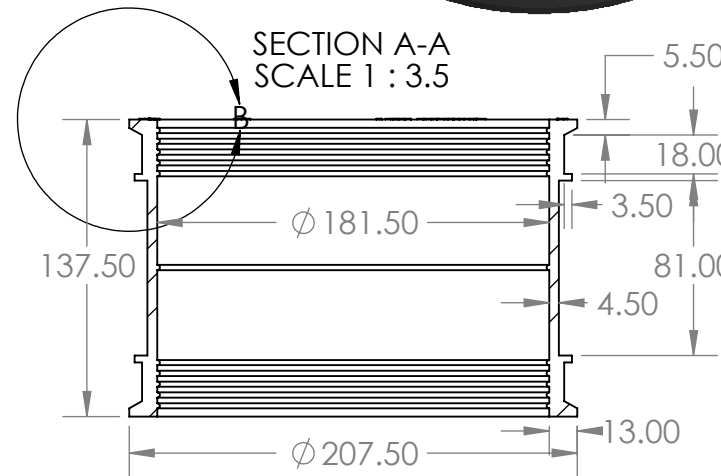
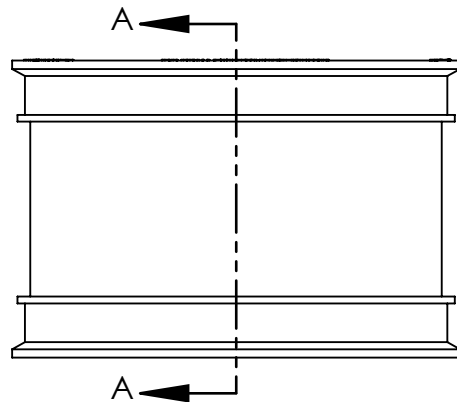
Arial Embossed 0.4mm Deep



Description

Aztec now has a range of Shielded Couplings designed for robust Aussie conditions. Specifically designed for the connection or the repair of pipes on sewer and drainage lines. The additional stainless-steel wrap around coupling supports the middle section, allowing the pipes to stay aligned and ensure minimal pipe displacement in robust conditions.

- Additional wrap around stainless steel coupling to withstand robust conditions
- Withstands an internal pressure of up to 1 bar
- Stainless steel shielded band prevents pipe displacement
- Complies with AS/NZS 4327-1995
- WaterMark® approved
- Wasa Approved



B

B

A

A



PROPRIETARY AND CONFIDENTIAL

THE INFORMATION CONTAINED IN THIS DRAWING IS THE SOLE PROPERTY OF <INSERT COMPANY NAME HERE>. ANY REPRODUCTION IN PART OR AS A WHOLE WITHOUT THE WRITTEN PERMISSION OF <INSERT COMPANY NAME HERE> IS PROHIBITED.

		UNLESS OTHERWISE SPECIFIED:		NAME	DATE
		DIMENSIONS ARE IN INCHES	DRAWN		
		TOLERANCES:	CHECKED		
		FRACTIONAL ±	ENG APPR.		
		ANGULAR: MACH ± BEND ±	MFG APPR.		
		TWO PLACE DECIMAL ±	Q.A.		
		THREE PLACE DECIMAL ±	COMMENTS:		
		INTERPRET GEOMETRIC TOLERANCING PER:			
		MATERIAL			
		FINISH			
NEXT ASSY	USED ON				
APPLICATION		DO NOT SCALE DRAWING			

TITLE:

SIZE	DWG. NO.	REV
A	ASC160-180	
SCALE: 1:5	WEIGHT:	SHEET 1 OF 1