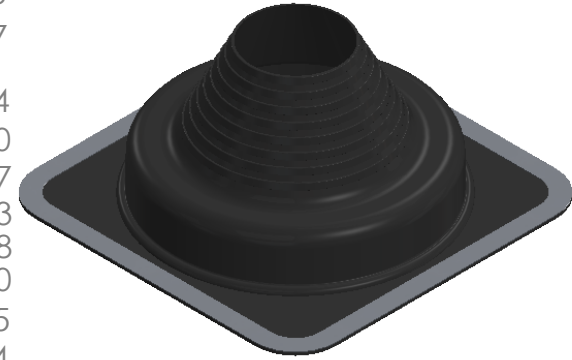
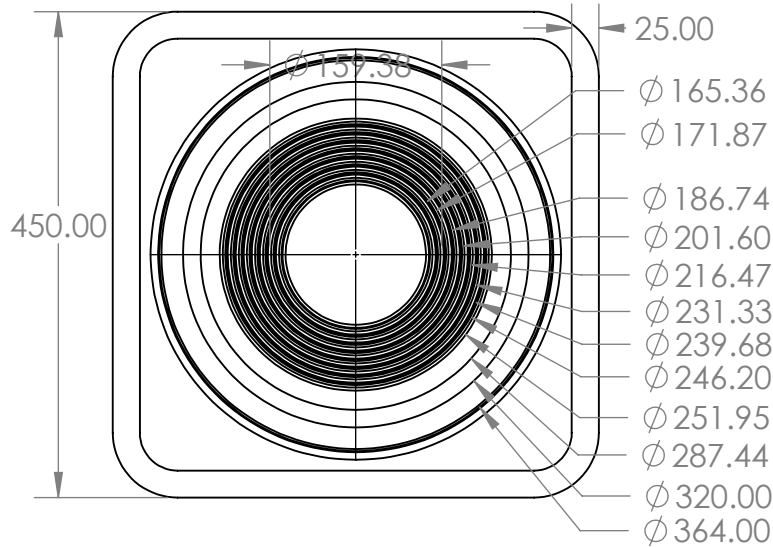
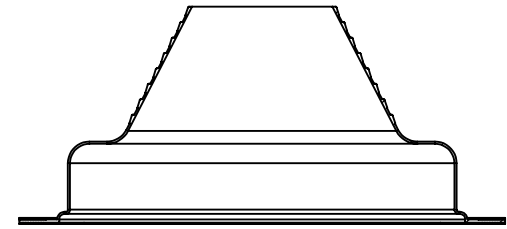
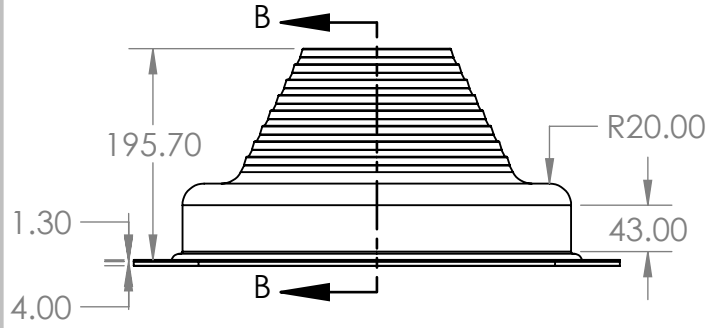


# Aztec Metal Flash Square Base No 7 150mm – 300mm Black

B



SECTION B-B  
SCALE 1 : 7



## Description

- EPDM rubber.
- Available in Black, Grey and Silicone Red.
- Also available in BHP roofing colours on request.
- Size range: 0mm to 1mt available.
- All EPDM Master Flash pipe flashings have a high temperature resistance of 135°C intermittently. A Silicone Red compound is also available, and this product has a high resistance of 260°C intermittently.
- Complies with BAL rating requirements.

B

A



**PROPRIETARY AND CONFIDENTIAL**  
 THE INFORMATION CONTAINED IN THIS DRAWING IS THE SOLE PROPERTY OF AZTEC AUSTRALASIA. ANY REPRODUCTION IN PART OR AS A WHOLE WITHOUT THE WRITTEN PERMISSION OF AZTEC AUSTRALASIA IS PROHIBITED.

|             |         |                                                                                                                                   |           |      |      |
|-------------|---------|-----------------------------------------------------------------------------------------------------------------------------------|-----------|------|------|
|             |         | UNLESS OTHERWISE SPECIFIED:                                                                                                       |           | NAME | DATE |
|             |         | DIMENSIONS ARE IN INCHES<br>TOLERANCES:<br>FRACTIONAL ±<br>ANGULAR: MACH ± BEND ±<br>TWO PLACE DECIMAL ±<br>THREE PLACE DECIMAL ± | DRAWN     |      |      |
|             |         | INTERPRET GEOMETRIC TOLERANCING PER:                                                                                              | CHECKED   |      |      |
|             |         | MATERIAL                                                                                                                          | ENG APPR. |      |      |
|             |         | FINISH                                                                                                                            | MFG APPR. |      |      |
|             |         |                                                                                                                                   | Q.A.      |      |      |
|             |         |                                                                                                                                   | COMMENTS: |      |      |
| NEXT ASSY   | USED ON |                                                                                                                                   |           |      |      |
| APPLICATION |         | DO NOT SCALE DRAWING                                                                                                              |           |      |      |

|             |              |              |
|-------------|--------------|--------------|
| TITLE:      |              |              |
| SIZE        | DWG. NO.     | REV          |
| <b>A</b>    | <b>AMF7B</b> |              |
| SCALE: 1:10 | WEIGHT:      | SHEET 1 OF 1 |

A