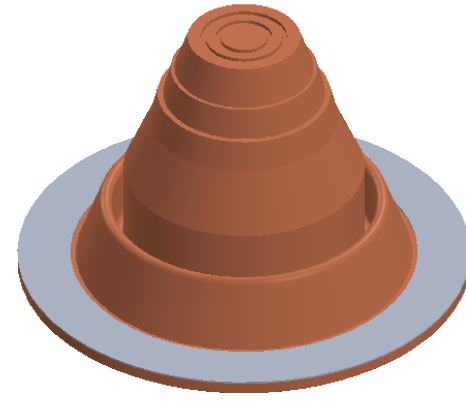
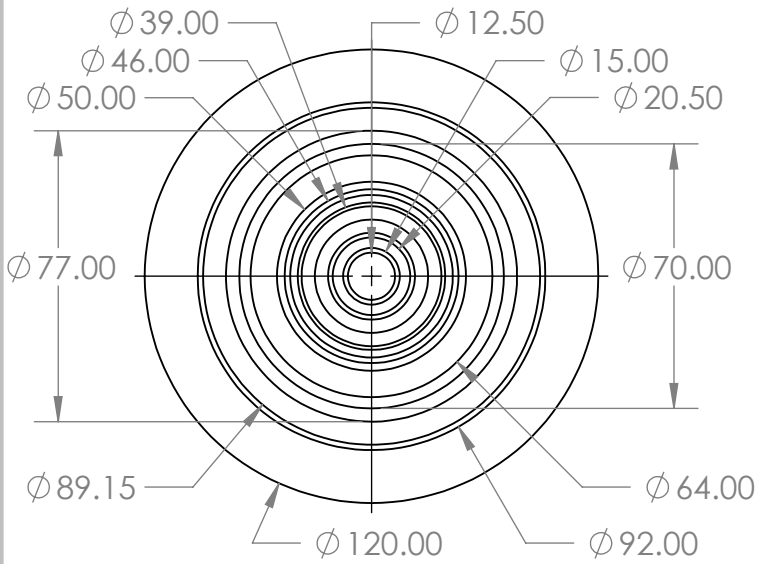


2

1

MasterFlash No1 Round Base 6 – 63mm Silicone

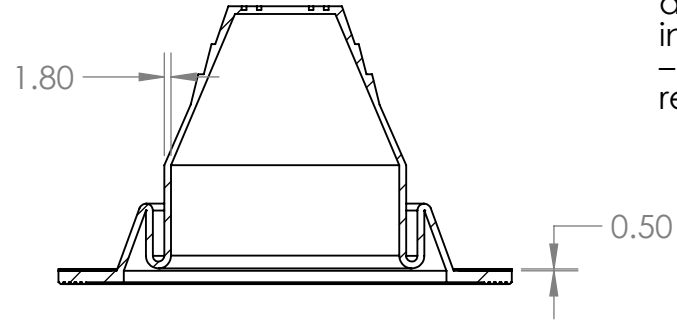
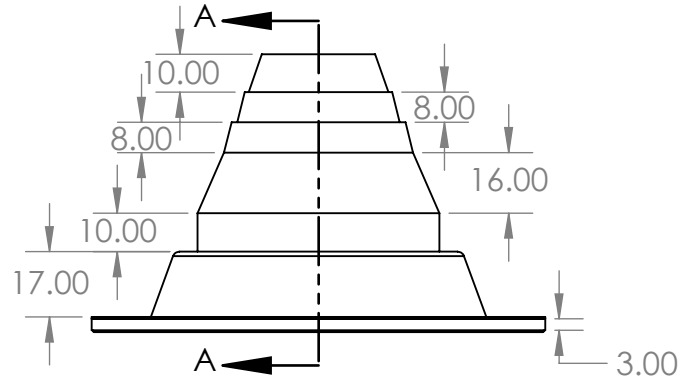


Description

- EPDM rubber.
- Available in Black, Grey and silicone red.
- Also available in BHP roofing colours on request.
- Size range: 0mm to 1m available.
- All EPDM Master Flash pipe flashings have a high temperature resistance of 135°C intermittently. A red silicone compound is also available, and this product has a high resistance of 260°C intermittently.
- Complies with BAL rating requirements.

B

B



SECTION A-A

A

A



PROPRIETARY AND CONFIDENTIAL
 THE INFORMATION CONTAINED IN THIS DRAWING IS THE SOLE PROPERTY OF AZTEC AUSTRALASIA. ANY REPRODUCTION IN PART OR AS A WHOLE WITHOUT THE WRITTEN PERMISSION OF AZTEC AUSTRALASIA IS PROHIBITED.

		UNLESS OTHERWISE SPECIFIED:		NAME	DATE
		DIMENSIONS ARE IN INCHES	DRAWN		
		TOLERANCES:	CHECKED		
		FRACTIONAL ±	ENG APPR.		
		ANGULAR: MACH ± BEND ±	MFG APPR.		
		TWO PLACE DECIMAL ±	Q.A.		
		THREE PLACE DECIMAL ±	COMMENTS:		
		INTERPRET GEOMETRIC TOLERANCING PER:			
		MATERIAL			
		FINISH			
NEXT ASSY	USED ON				
APPLICATION		DO NOT SCALE DRAWING			

TITLE:		
SIZE	DWG. NO.	REV
A	MFR1S	
SCALE: 1:2	WEIGHT:	SHEET 1 OF 1

2

1