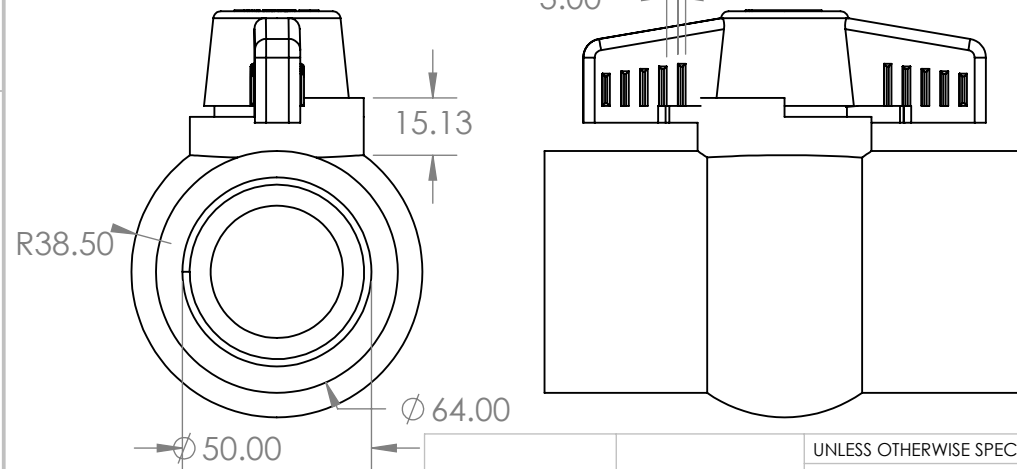
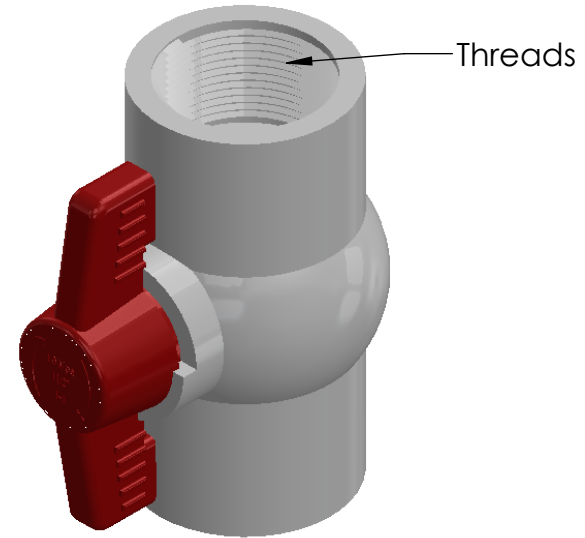
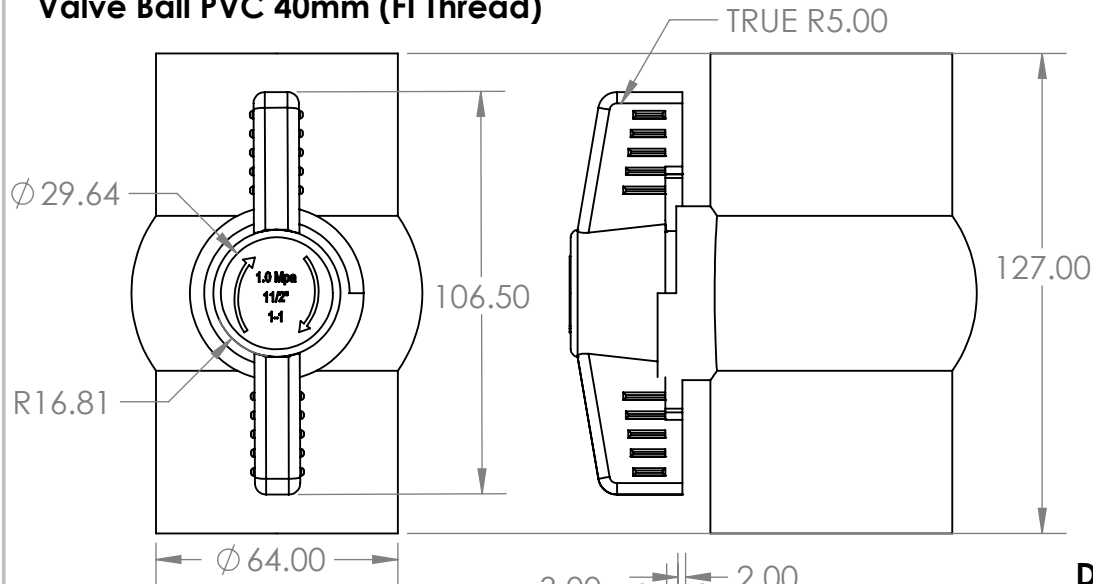


2

1

Valve Ball PVC 40mm (FI Thread)



Description

- Pressure fittings are used for a large variety of high-pressure water applications. Including irrigation and water reticulation. Aztec PVC Pressure fittings comply with AS/NZS 1477.
- Comply with AS/NZS 1477
 - WaterMark certified
 - Comply with AS/NZS 4020 for drinking water application
 - BEP - PVC certified
 - Pressure ratings: PN18 (\leq DN50), PN15 ($>$ DN50)
 - Joint types: Solvent Cement Joint (SCJ) or Threaded (BSP)
 - Size range: DN15 - DN150
 - Working temperature: 0°C - 50°C
 - Colour: White

B

B

A

A



PROPRIETARY AND CONFIDENTIAL

THE INFORMATION CONTAINED IN THIS DRAWING IS THE SOLE PROPERTY OF AZTEC AUSTRALASIA. ANY REPRODUCTION IN PART OR AS A WHOLE WITHOUT THE WRITTEN PERMISSION OF AZTEC AUSTRALASIA IS PROHIBITED.

		UNLESS OTHERWISE SPECIFIED:	NAME	DATE
		DIMENSIONS ARE IN INCHES TOLERANCES: FRACTIONAL \pm ANGULAR: MACH \pm BEND \pm TWO PLACE DECIMAL \pm THREE PLACE DECIMAL \pm	DRAWN	
		INTERPRET GEOMETRIC TOLERANCING PER:	CHECKED	
		MATERIAL	ENG APPR.	
NEXT ASSY	USED ON	FINISH	MFG APPR.	
APPLICATION		DO NOT SCALE DRAWING	Q.A.	
			COMMENTS:	

TITLE:		
SIZE	DWG. NO.	REV
A	PFBVF40	
SCALE: 1:2	WEIGHT:	SHEET 1 OF 1

2

1