

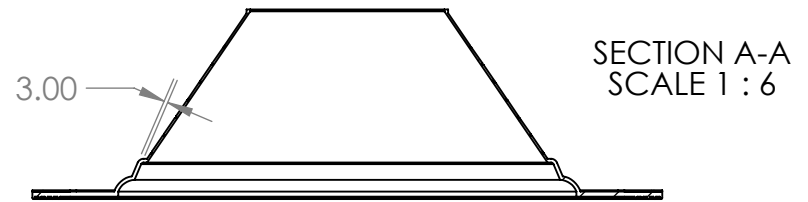
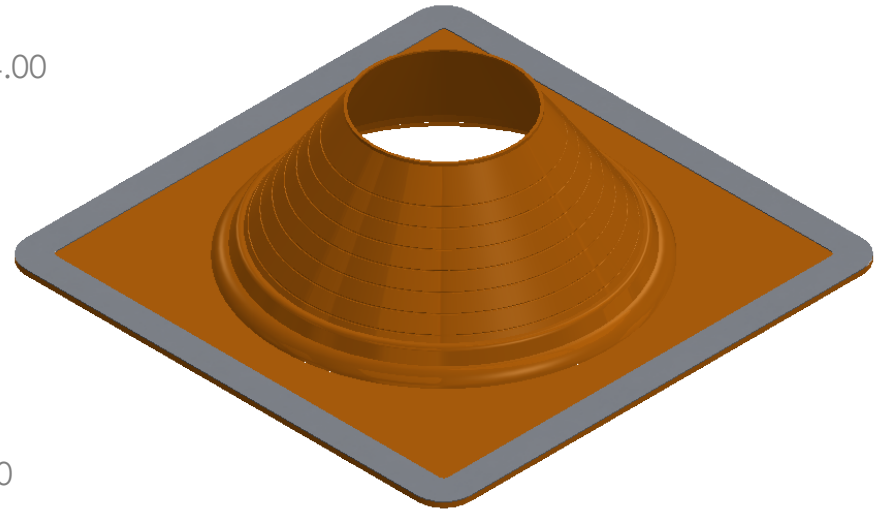
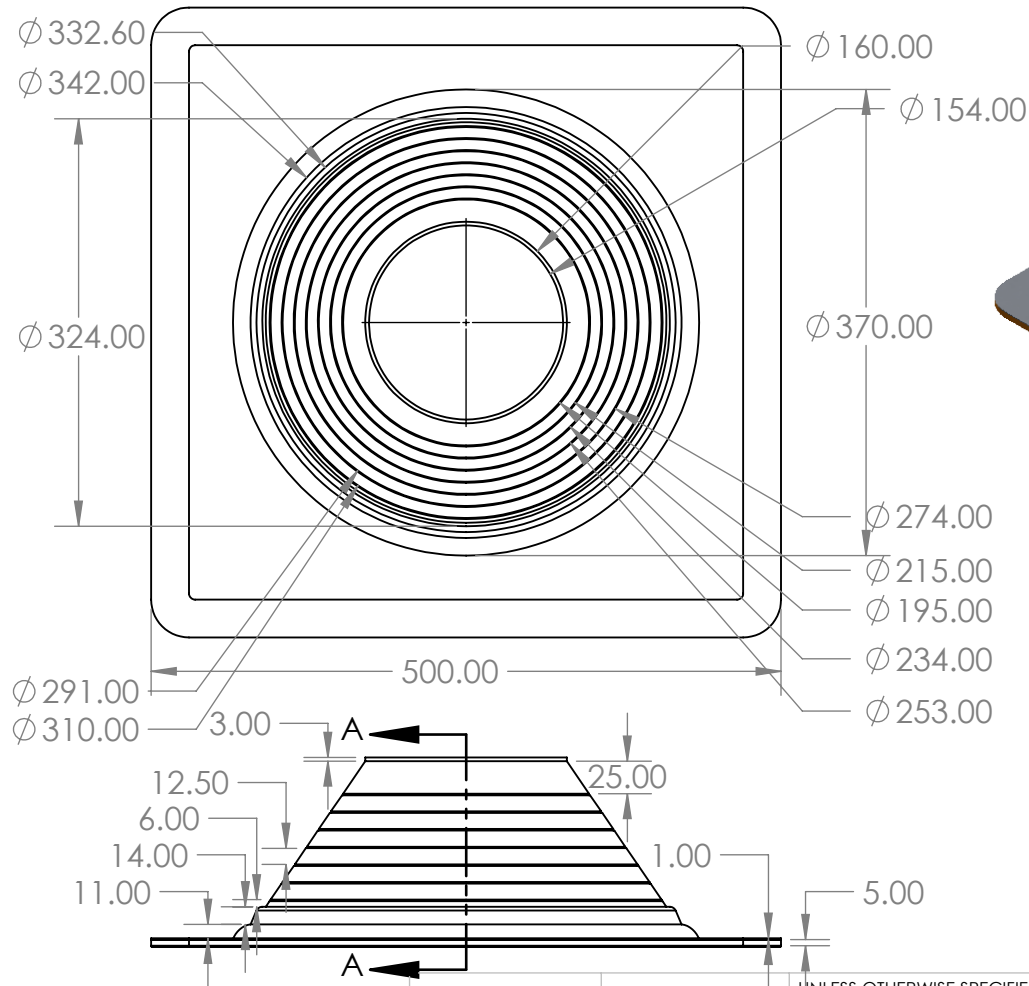
2

1

MasterFlash No8X Square Base 171 – 381mm Silicone

B

B



A

A



PROPRIETARY AND CONFIDENTIAL

THE INFORMATION CONTAINED IN THIS DRAWING IS THE SOLE PROPERTY OF AZTEC AUSTRALASIA. ANY REPRODUCTION IN PART OR AS A WHOLE WITHOUT THE WRITTEN PERMISSION OF AZTEC AUSTRALASIA IS PROHIBITED.

UNLESS OTHERWISE SPECIFIED:		NAME	DATE
DIMENSIONS ARE IN INCHES		DRAWN	
TOLERANCES:		CHECKED	
FRACTIONAL ±		ENG APPR.	
ANGULAR: MACH ± BEND ±		MFG APPR.	
TWO PLACE DECIMAL ±		Q.A.	
THREE PLACE DECIMAL ±		COMMENTS:	
INTERPRET GEOMETRIC TOLERANCING PER:		TITLE:	
MATERIAL		SIZE	DWG. NO.
FINISH		A	MFS8XS
NEXT ASSY	USED ON	REV	
APPLICATION	DO NOT SCALE DRAWING	SCALE: 1:10	WEIGHT:

TITLE:		
SIZE	DWG. NO.	REV
A	MFS8XS	
SCALE: 1:10	WEIGHT:	SHEET 1 OF 1

2

1