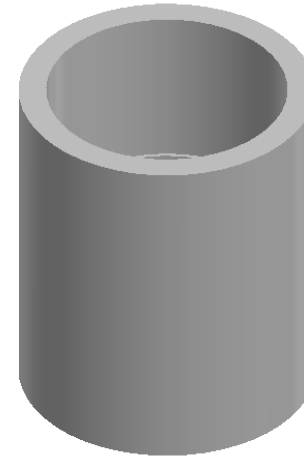
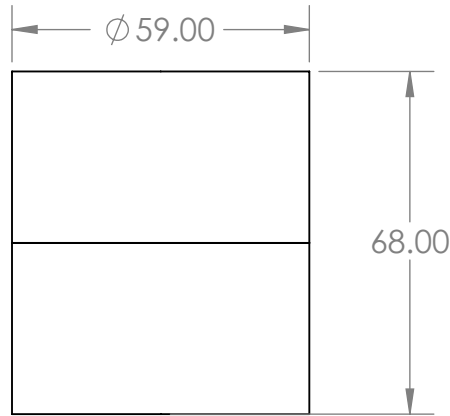


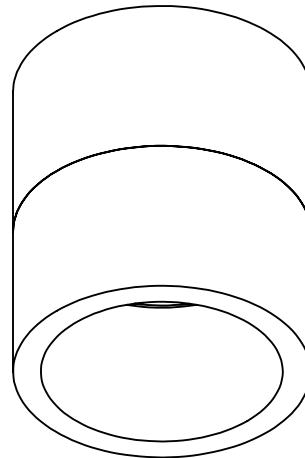
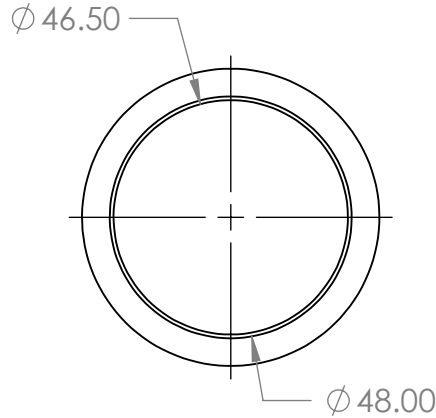
2

1

Coupling Cat 7 PVC Pressure 40mm



Pressure fittings are used for a large variety of high-pressure water applications. Including irrigation and water reticulation. Aztec PVC Pressure fittings comply with AS/NZS 1477.



Description

- Comply with AS/NZS 1477
- WaterMark certified
- Comply with AS/NZS 4020 for drinking water application
- BEP - PVC certified
- Pressure ratings: PN18 (\leq DN50), PN15 ($>$ DN50)
- Joint types: Solvent Cement Joint (SCJ) or Threaded (BSP)
- Size range: DN15 - DN150
- Working temperature: 0°C - 50°C
- Colour: White

B

B

A

A



PROPRIETARY AND CONFIDENTIAL

THE INFORMATION CONTAINED IN THIS DRAWING IS THE SOLE PROPERTY OF AZTEC AUSTRALASIA. ANY REPRODUCTION IN PART OR AS A WHOLE WITHOUT THE WRITTEN PERMISSION OF AZTEC AUSTRALASIA IS PROHIBITED.

		UNLESS OTHERWISE SPECIFIED:		NAME	DATE		
		DIMENSIONS ARE IN INCHES	DRAWN			TITLE:	
		TOLERANCES:	CHECKED				
		FRACTIONAL \pm	ENG APPR.				
		ANGULAR: MACH \pm BEND \pm	MFG APPR.				
		TWO PLACE DECIMAL \pm	Q.A.				
		THREE PLACE DECIMAL \pm	COMMENTS:				
		INTERPRET GEOMETRIC TOLERANCING PER:					
		MATERIAL			SIZE	DWG. NO.	REV
		FINISH			A	PF740	
NEXT ASSY	USED ON				SCALE: 1:2	WEIGHT:	SHEET 1 OF 1
APPLICATION		DO NOT SCALE DRAWING					

2

1