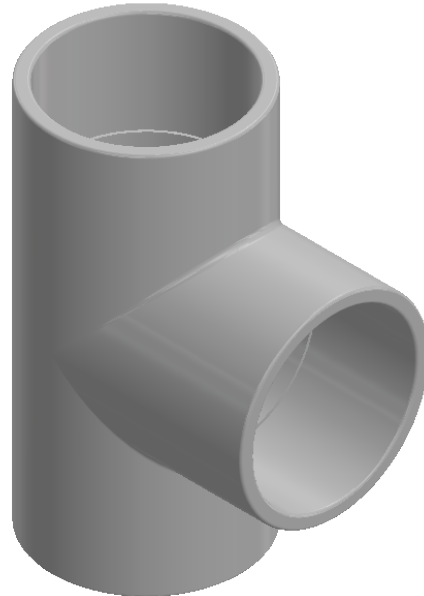
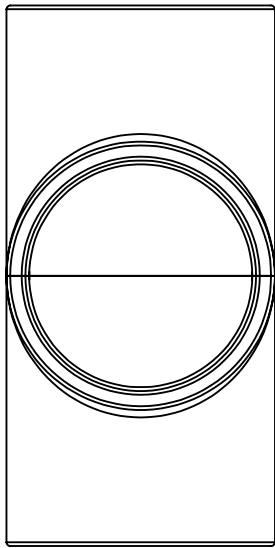
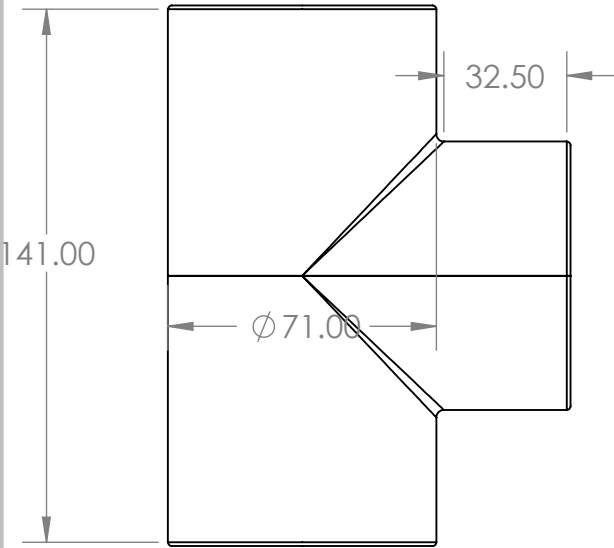


2

1

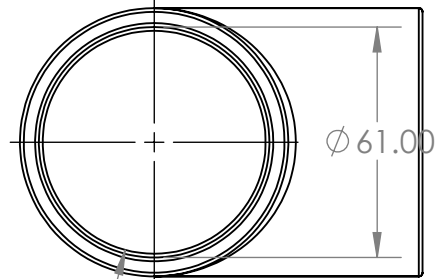
**Tee Reducing PVC Cat 19 50mm X 20mm**

B



- Description**
- Comply with AS/NZS 1477
  - WaterMark certified
  - Comply with AS/NZS 4020 for drinking water application
  - BEP - PVC certified
  - Pressure ratings: PN18 ( $\leq$  DN50), PN15 ( $>$  DN50)
  - Joint types: Solvent Cement Joint (SCJ) or Threaded (BSP)
  - Size range: DN15 - DN150
  - Working temperature: 0°C - 50°C
  - Colour: White

B



Pressure fittings are used for a large variety of high-pressure water applications. Including irrigation and water reticulation. Aztec PVC Pressure fittings comply with AS/NZS 1477.

A



**PROPRIETARY AND CONFIDENTIAL**  
 THE INFORMATION CONTAINED IN THIS DRAWING IS THE SOLE PROPERTY OF <INSERT COMPANY NAME HERE>. ANY REPRODUCTION IN PART OR AS A WHOLE WITHOUT THE WRITTEN PERMISSION OF <INSERT COMPANY NAME HERE> IS PROHIBITED.

		UNLESS OTHERWISE SPECIFIED:		NAME	DATE
		DIMENSIONS ARE IN INCHES	DRAWN		
		TOLERANCES:	CHECKED		
		FRACTIONAL $\pm$	ENG APPR.		
		ANGULAR: MACH $\pm$ BEND $\pm$	MFG APPR.		
		TWO PLACE DECIMAL $\pm$	Q.A.		
		THREE PLACE DECIMAL $\pm$	COMMENTS:		
		INTERPRET GEOMETRIC TOLERANCING PER:			
		MATERIAL			
NEXT ASSY	USED ON	FINISH			
	APPLICATION	DO NOT SCALE DRAWING			

TITLE:		
SIZE	DWG. NO.	REV
<b>A</b>	<b>PF1950</b>	
SCALE: 1:2	WEIGHT:	SHEET 1 OF 1

A

2

1