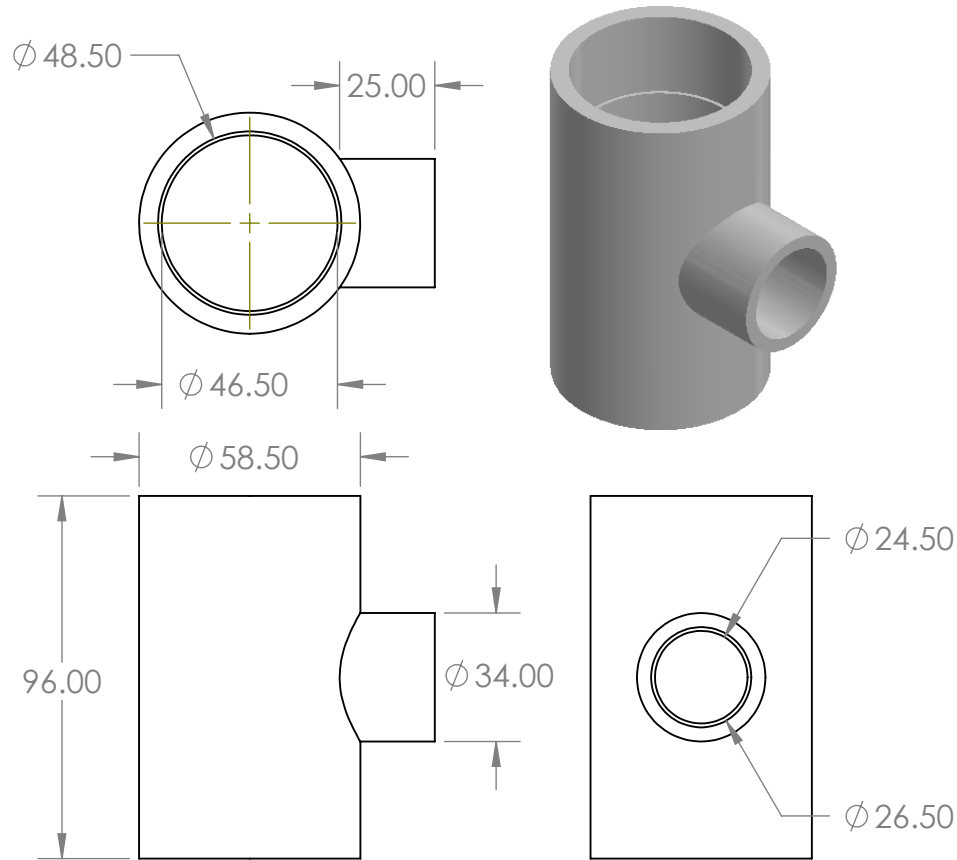


2

1

### Tee Reducing PVC Cat 19 40mm X 20mm



#### Description

Pressure fittings are used for a large variety of high-pressure water applications. Including irrigation and water reticulation. Aztec PVC Pressure fittings comply with AS/NZS 1477.

- Comply with AS/NZS 1477
- WaterMark certified
- Comply with AS/NZS 4020 for drinking water application
- BEP - PVC certified
- Pressure ratings: PN18 ( $\leq$  DN50), PN15 ( $>$  DN50)
- Joint types: Solvent Cement Joint (SCJ) or Threaded (BSP)
- Size range: DN15 - DN150
- Working temperature: 0°C - 50°C
- Colour: White

B

B

A

A



**PROPRIETARY AND CONFIDENTIAL**

THE INFORMATION CONTAINED IN THIS DRAWING IS THE SOLE PROPERTY OF AZTEC AUSTRALASIA. ANY REPRODUCTION IN PART OR AS A WHOLE WITHOUT THE WRITTEN PERMISSION OF AZTEC AUSTRALASIA IS PROHIBITED.

|             |         |                                      |           |      |      |
|-------------|---------|--------------------------------------|-----------|------|------|
|             |         | UNLESS OTHERWISE SPECIFIED:          |           | NAME | DATE |
|             |         | DIMENSIONS ARE IN INCHES             | DRAWN     |      |      |
|             |         | TOLERANCES:                          | CHECKED   |      |      |
|             |         | FRACTIONAL $\pm$                     | ENG APPR. |      |      |
|             |         | ANGULAR: MACH $\pm$ BEND $\pm$       | MFG APPR. |      |      |
|             |         | TWO PLACE DECIMAL $\pm$              | Q.A.      |      |      |
|             |         | THREE PLACE DECIMAL $\pm$            | COMMENTS: |      |      |
|             |         | INTERPRET GEOMETRIC TOLERANCING PER: |           |      |      |
|             |         | MATERIAL                             |           |      |      |
|             |         | FINISH                               |           |      |      |
| NEXT ASSY   | USED ON |                                      |           |      |      |
| APPLICATION |         | DO NOT SCALE DRAWING                 |           |      |      |

|            |                 |              |
|------------|-----------------|--------------|
| TITLE:     |                 |              |
| SIZE       | DWG. NO.        | REV          |
| <b>A</b>   | <b>PF194020</b> |              |
| SCALE: 1:2 | WEIGHT:         | SHEET 1 OF 1 |

2

1