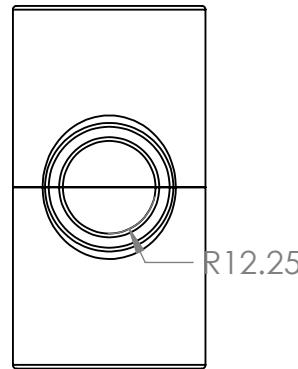
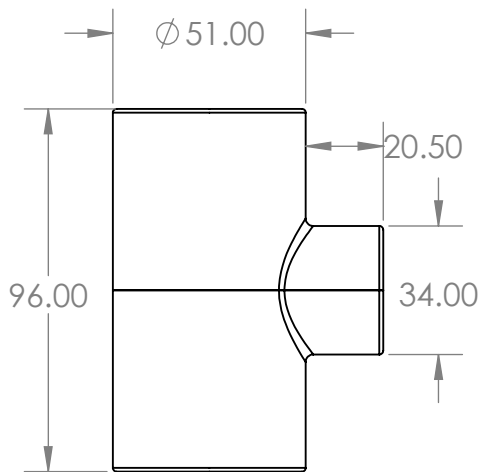
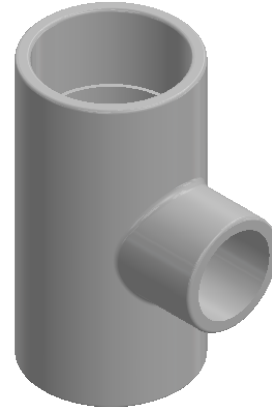
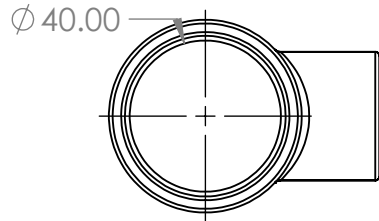


2

1

### Tee Reducing PVC Cat 19 32mm X 20mm



#### Description

- Pressure fittings are used for a large variety of high-pressure water applications. Including irrigation and water reticulation. Aztec PVC Pressure fittings comply with AS/NZS 1477.
- Comply with AS/NZS 1477
  - WaterMark certified
  - Comply with AS/NZS 4020 for drinking water application
  - BEP - PVC certified
  - Pressure ratings: PN18 ( $\leq$  DN50), PN15 ( $>$  DN50)
  - Joint types: Solvent Cement Joint (SCJ) or Threaded (BSP)
  - Size range: DN15 - DN150
  - Working temperature: 0°C - 50°C
  - Colour: White

B

B

A

A



**PROPRIETARY AND CONFIDENTIAL**

THE INFORMATION CONTAINED IN THIS DRAWING IS THE SOLE PROPERTY OF AZTEC AUSTRALASIA. ANY REPRODUCTION IN PART OR AS A WHOLE WITHOUT THE WRITTEN PERMISSION OF AZTEC AUSTRALASIA IS PROHIBITED.

		UNLESS OTHERWISE SPECIFIED:		NAME	DATE			
		DIMENSIONS ARE IN INCHES TOLERANCES: FRACTIONAL $\pm$ ANGULAR: MACH $\pm$ BEND $\pm$ TWO PLACE DECIMAL $\pm$ THREE PLACE DECIMAL $\pm$		DRAWN		TITLE:		
		INTERPRET GEOMETRIC TOLERANCING PER:		CHECKED				
		MATERIAL		ENG APPR.				
NEXT ASSY		USED ON		MFG APPR.				
APPLICATION		DO NOT SCALE DRAWING		Q.A.				
				COMMENTS:				
						SIZE	DWG. NO.	REV
						<b>A</b>	<b>PF193220</b>	
						SCALE: 1:2	WEIGHT:	SHEET 1 OF 1

2

1