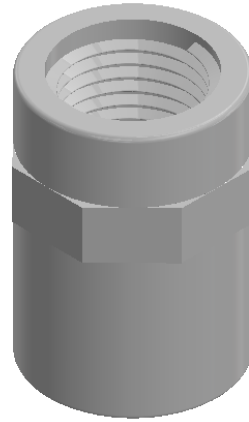
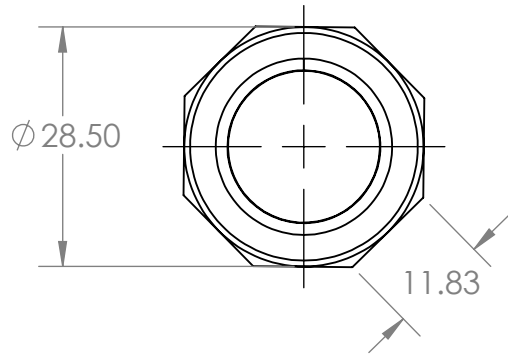


2

1

Socket Faucet Cat 18 PVC Pressure 15mm x 1/2"

B

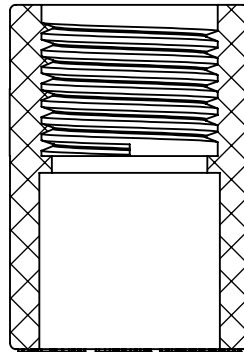
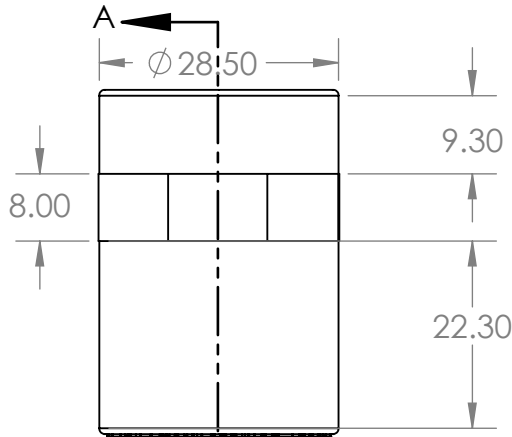


B

Description

Pressure fittings are used for a large variety of high-pressure water applications. Including irrigation and water reticulation. Aztec PVC Pressure fittings comply with AS/NZS 1477.

- Comply with AS/NZS 1477
- WaterMark certified
- Comply with AS/NZS 4020 for drinking water application
- BEP - PVC certified
- Pressure ratings: PN18 (\leq DN50), PN15 ($>$ DN50)
- Joint types: Solvent Cement Joint (SCJ) or Threaded (BSP)
- Size range: DN15 - DN150
- Working temperature: 0°C - 50°C
- Colour: White



SECTION A-A
SCALE 1 : 0.9

A



PROPRIETARY AND CONFIDENTIAL

THE INFORMATION CONTAINED IN THIS DRAWING IS THE SOLE PROPERTY OF AZTEC AUSTRALASIA. ANY REPRODUCTION IN PART OR AS A WHOLE WITHOUT THE WRITTEN PERMISSION OF AZTEC AUSTRALASIA IS PROHIBITED.

		UNLESS OTHERWISE SPECIFIED:		NAME	DATE	TITLE:		
		DIMENSIONS ARE IN INCHES		DRAWN				
		TOLERANCES:		CHECKED				
		FRACTIONAL \pm		ENG APPR.				
		ANGULAR: MACH \pm BEND \pm		MFG APPR.				
		TWO PLACE DECIMAL \pm		Q.A.		SIZE	DWG. NO.	REV
		THREE PLACE DECIMAL \pm		COMMENTS:		A	PF181515	
		INTERPRET GEOMETRIC TOLERANCING PER:				SCALE: 1:1	WEIGHT:	SHEET 1 OF 1
		MATERIAL						
NEXT ASSY		USED ON						
APPLICATION		DO NOT SCALE DRAWING						
		FINISH						

A

2

1