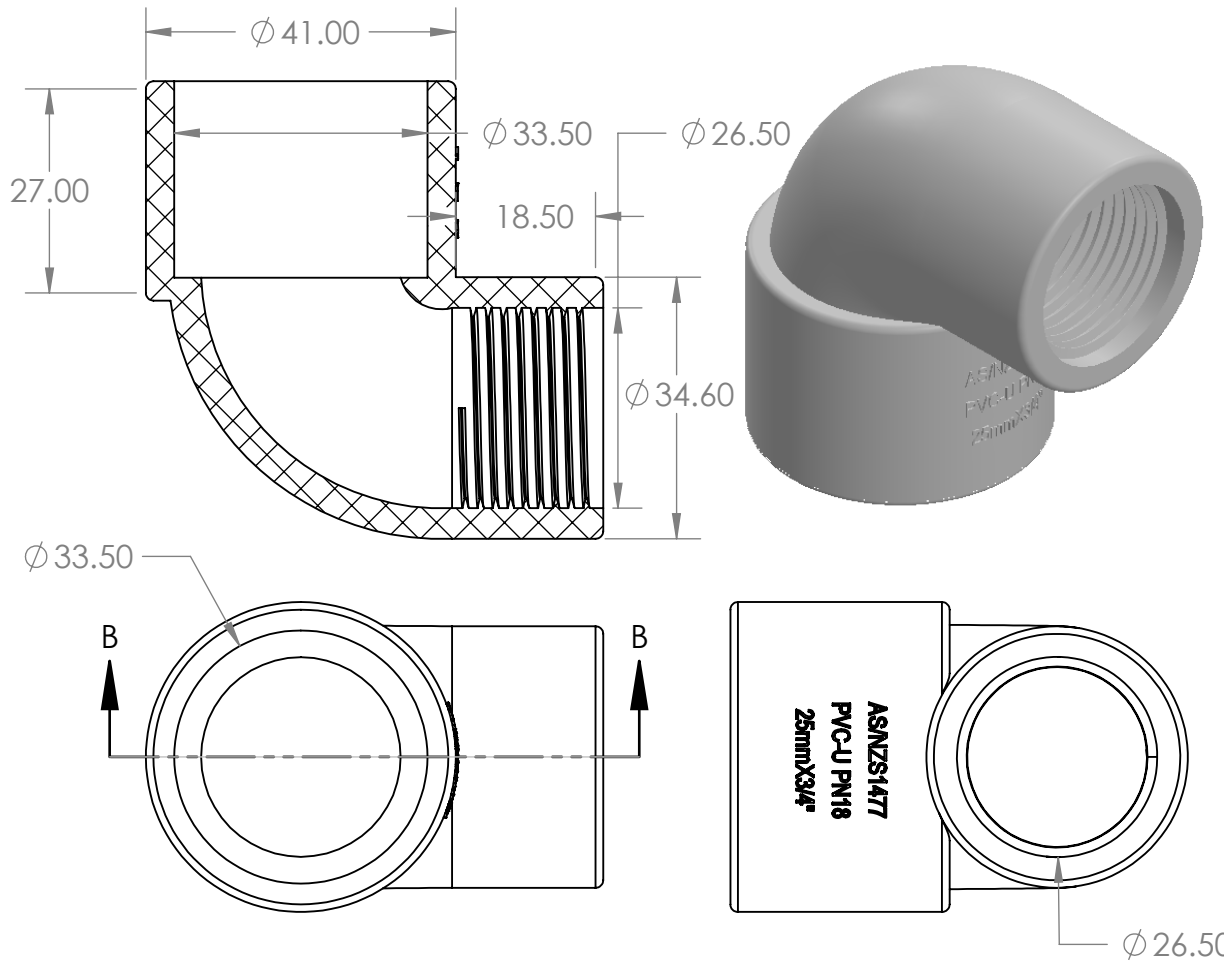


**Elbow FI Cat 15 PVC Pressure 25mm x 3/4" x 90°**



**Description**

Pressure fittings are used for a large variety of high-pressure water applications. Including irrigation and water reticulation. Aztec PVC Pressure fittings comply with AS/NZS 1477.

- Comply with AS/NZS 1477
- WaterMark certified
- Comply with AS/NZS 4020 for drinking water application
- BEP - PVC certified
- Pressure ratings: PN18 ( $\leq$  DN50), PN15 ( $>$  DN50)
- Joint types: Solvent Cement Joint (SCJ) or Threaded (BSP)
- Size range: DN15 - DN150
- Working temperature: 0°C - 50°C
- Colour: White

B

B

A

A



**PROPRIETARY AND CONFIDENTIAL**

THE INFORMATION CONTAINED IN THIS DRAWING IS THE SOLE PROPERTY OF AZTEC AUSTRALASIA. ANY REPRODUCTION IN PART OR AS A WHOLE WITHOUT THE WRITTEN PERMISSION OF AZTEC AUSTRALASIA IS PROHIBITED.

		UNLESS OTHERWISE SPECIFIED:		NAME	DATE			
		DIMENSIONS ARE IN INCHES TOLERANCES: FRACTIONAL $\pm$ ANGULAR: MACH $\pm$ BEND $\pm$ TWO PLACE DECIMAL $\pm$ THREE PLACE DECIMAL $\pm$		DRAWN		TITLE:		
		INTERPRET GEOMETRIC TOLERANCING PER:		CHECKED				
		MATERIAL		ENG APPR.				
		FINISH		MFG APPR.				
		APPLICATION		Q.A.				
NEXT ASSY	USED ON	DO NOT SCALE DRAWING		COMMENTS:		SIZE	DWG. NO.	REV
						<b>A</b>	<b>PF152520</b>	
				SCALE: 1:1	WEIGHT:	SHEET 1 OF 1		