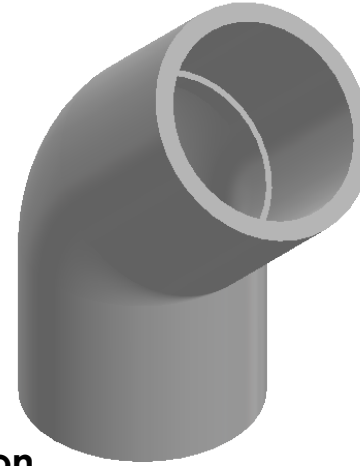
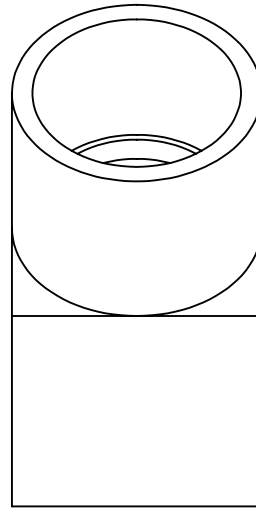
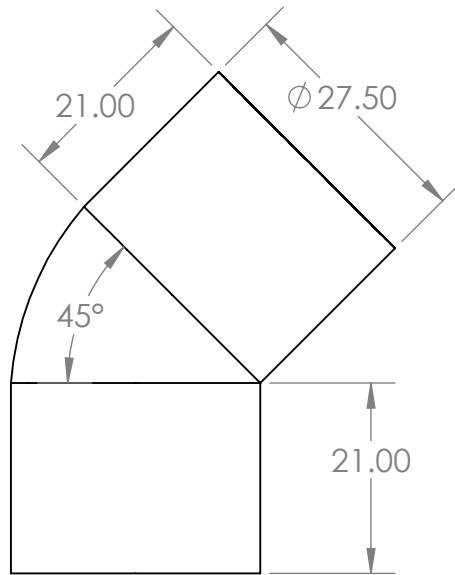


2

1

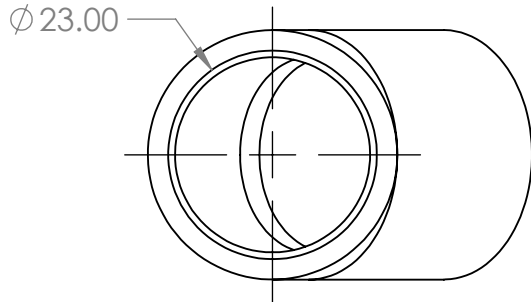
Elbow Cat 10 PVC Pressure 15mm x 45°



Description

Pressure fittings are used for a large variety of high-pressure water applications. Including irrigation and water reticulation. Aztec PVC Pressure fittings comply with AS/NZS 1477.

- Comply with AS/NZS 1477
- WaterMark certified
- Comply with AS/NZS 4020 for drinking water application
- BEP – PVC certified
- Pressure ratings: PN18 (\leq DN50), PN15 ($>$ DN50)
- Joint types: Solvent Cement Joint (SCJ) or Threaded (BSP)
- Size range: DN15 – DN150
- Working temperature: 0°C – 50°C
- Colour: White



B

B

A

A



PROPRIETARY AND CONFIDENTIAL

THE INFORMATION CONTAINED IN THIS DRAWING IS THE SOLE PROPERTY OF AZTEC AUSTRALASIA. ANY REPRODUCTION IN PART OR AS A WHOLE WITHOUT THE WRITTEN PERMISSION OF AZTEC AUSTRALASIA IS PROHIBITED.

| | | | | | | | |
|-------------|---------|---|-----------------|-----------|------|--------------|--|
| | | UNLESS OTHERWISE SPECIFIED: | | NAME | DATE | | |
| | | DIMENSIONS ARE IN INCHES TOLERANCES: FRACTIONAL \pm ANGULAR: MACH \pm BEND \pm TWO PLACE DECIMAL \pm THREE PLACE DECIMAL \pm | | DRAWN | | TITLE: | |
| | | INTERPRET GEOMETRIC TOLERANCING PER: | | CHECKED | | | |
| | | MATERIAL | | ENG APPR. | | | |
| NEXT ASSY | USED ON | FINISH | | MFG APPR. | | | |
| APPLICATION | | DO NOT SCALE DRAWING | | Q.A. | | | |
| | | | | COMMENTS: | | | |
| | | SIZE | DWG. NO. | | | REV | |
| | | A | PF101545 | | | | |
| | | SCALE: 1:1 | WEIGHT: | | | SHEET 1 OF 1 | |

2

1