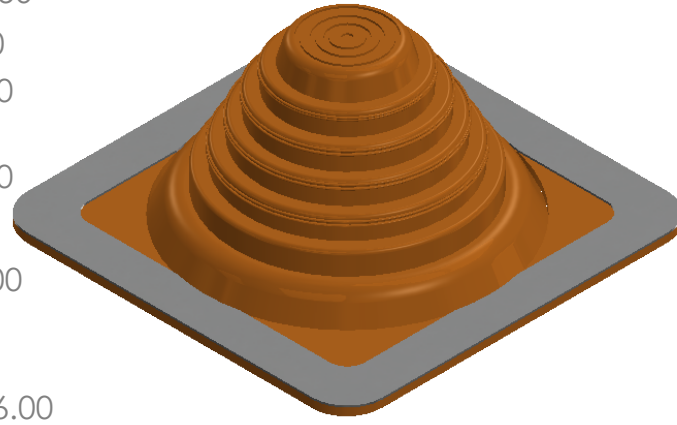
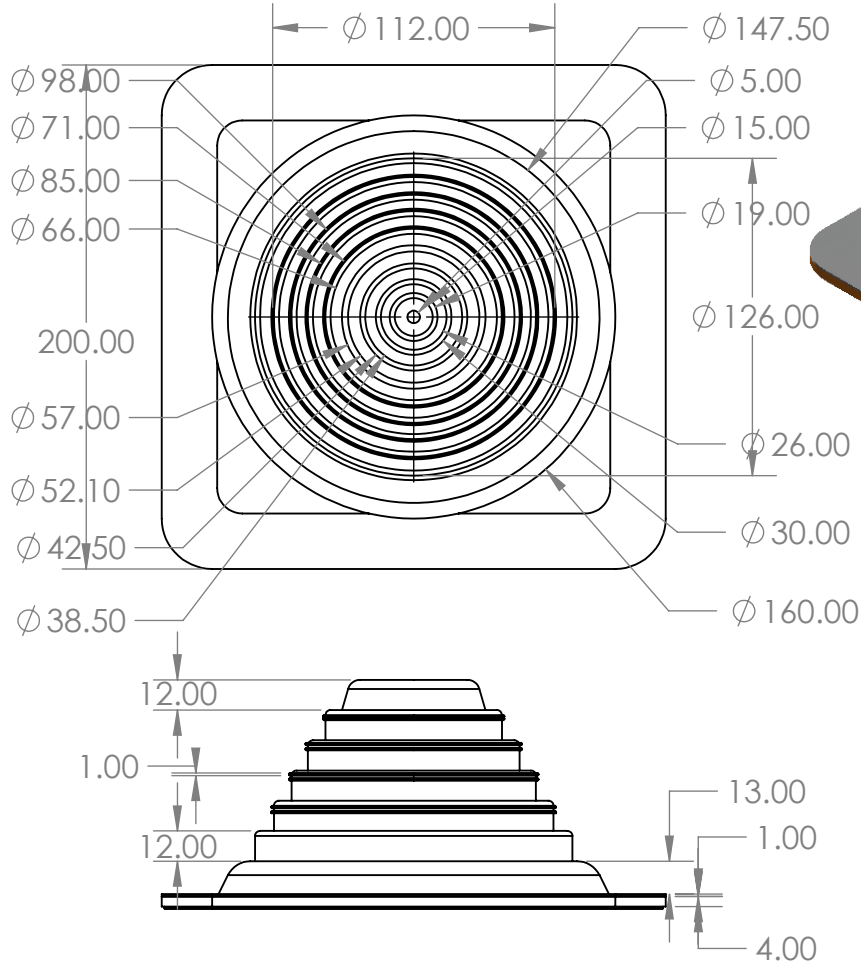


MasterFlash No3 Square Base 6 – 146mm Silicone



Description

- EPDM rubber.
- Available in Black, Grey and silicone red.
- Also available in BHP roofing colours on request.
- Size range: 0mm to 1m available.
- All EPDM Master Flash pipe flashings have a high temperature resistance of 135°C intermittently. A red silicone compound is also available, and this product has a high resistance of 260°C intermittently.
- Complies with BAL rating requirements.

FAQs

- Q. What is the highest temperature a Master Flash® pipe flashing will handle?**
 - All EPDM MasterFlash flashings 135°C intermittently.
 - A silicone red flashing has a high resistance of 260°C intermittently.
- Q. What type of sealant should be used on the Master Flash® flashingsb**
 - A good quality roof & gutter silicone sealant should always be used when installing a Master Flash pipe flashing for metal roofs.
- Q. What type of screws should be used to fasten the flashings?**
 - The use of a self-drilling screw or pop rivet (sealed) is always recommended.
- What is the life expectancy of the Master Flash® flashings?**
 - All Master Flash products carry a 25-year warranty.
- Q. What is the maximum roof pitch that the flashings can be used for?**
 - Most of our products are designed to cater to a roof pitch of 45°. If more is required, then our Master Flash Extreme Angle range is designed with a built in 40° pitch and therefore can handle a roof pitch from 35° – 65°.
- Q. Is there a product that can flash a Square Pipe?**
 - Yes, our Master Flash Square Vent Range is available and will suit penetrations from 20mm – 125mm. Now also available in a lead base option.

B

B

A

A



PROPRIETARY AND CONFIDENTIAL
 THE INFORMATION CONTAINED IN THIS DRAWING IS THE SOLE PROPERTY OF AZTEC AUSTRALASIA. ANY REPRODUCTION IN PART OR AS A WHOLE WITHOUT THE WRITTEN PERMISSION OF AZTEC AUSTRALASIA IS PROHIBITED.

		UNLESS OTHERWISE SPECIFIED:		NAME	DATE
		DIMENSIONS ARE IN INCHES TOLERANCES: FRACTIONAL ± ANGULAR: MACH ± BEND ± TWO PLACE DECIMAL ± THREE PLACE DECIMAL ±	DRAWN		
		INTERPRET GEOMETRIC TOLERANCING PER:	CHECKED		
		MATERIAL	ENG APPR.		
		FINISH	MFG APPR.		
NEXT ASSY	USED ON		Q.A.		
			COMMENTS:		
APPLICATION		DO NOT SCALE DRAWING			

TITLE:		
SIZE	DWG. NO.	REV
A	MFS3S	
SCALE: 1:5	WEIGHT:	SHEET 1 OF 1