

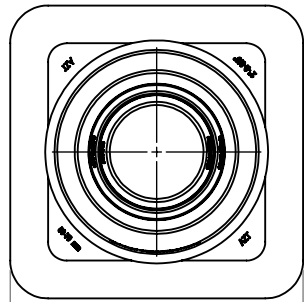
MasterFlash No2 Square Base 50 – 70mm Black

Description

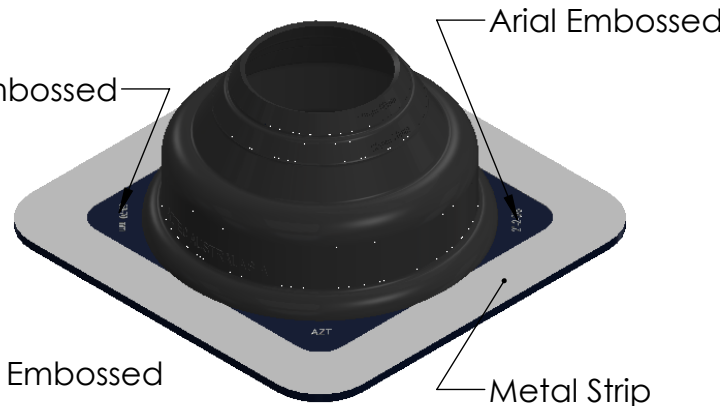
- EPDM rubber.
- Available in Black, Grey and silicone red.
- Also available in BHP roofing colours on request.
- Size range: 0mm to 1m available.
- All EPDM Master Flash pipe flashings have a high temperature resistance of 135°C intermittently. A red silicone compound is also available, and this product has a high resistance of 260°C intermittently.
- Complies with BAL rating requirements.

B

B



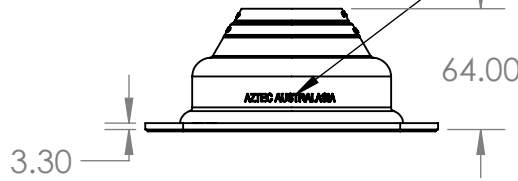
Arial Embossed



Arial Embossed

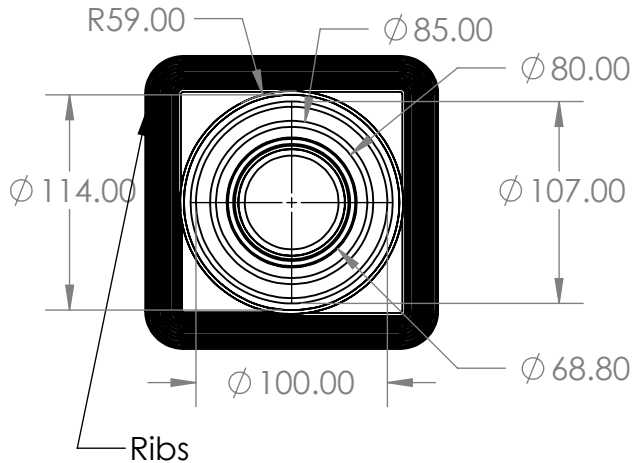
Arial Embossed

Metal Strip



64.00

3.30



R59.00

Ø 85.00

Ø 80.00

Ø 114.00

Ø 107.00

Ø 100.00

Ø 68.80

Ribs

FAQs

Q. What is the highest temperature a Master Flash® pipe flashing will handle?

- All EPDM MasterFlash flashings 135°C intermittently.
- A silicone red flashing has a high resistance of 260°C intermittently.

Q. What type of sealant should be used on the Master Flash® flashings?

- A good quality roof & gutter silicone sealant should always be used when installing a Master Flash pipe flashing for metal roofs.

Q. What type of screws should be used to fasten the flashings?

- The use of a self-drilling screw or pop rivet (sealed) is always recommended.

Q. What is the life expectancy of the Master Flash® flashings?

- All Master Flash products carry a 25-year warranty.

Q. What is the maximum roof pitch that the flashings can be used for?

- Most of our products are designed to cater to a roof pitch of 45°. If more is required, then our Master Flash Extreme Angle range is designed with a built in 40° pitch and therefore can handle a roof pitch from 35° – 65°.

Q. Is there a product that can flash a Square Pipe?

- Yes, our Master Flash Square Vent Range is available and will suit penetrations from 20mm – 125mm. Now also available in a lead base option.

A

A



NAME		DATE		TITLE:		
DRAWN				MFS2B		
Q.A.						
COMMENTS:				SIZE	DWG. NO.	REV
				A	55	
		SCALE: 1:5		WEIGHT:		SHEET 1 OF 1