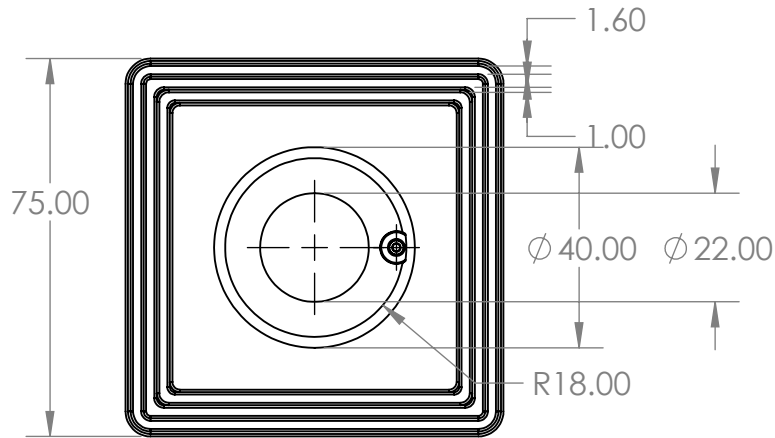
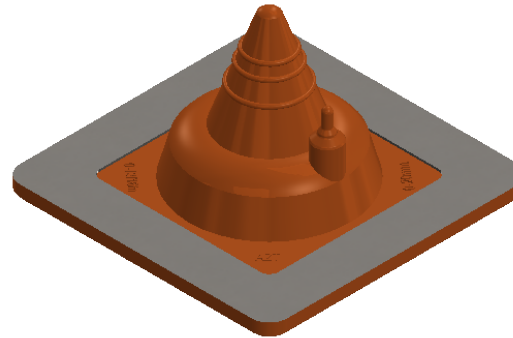
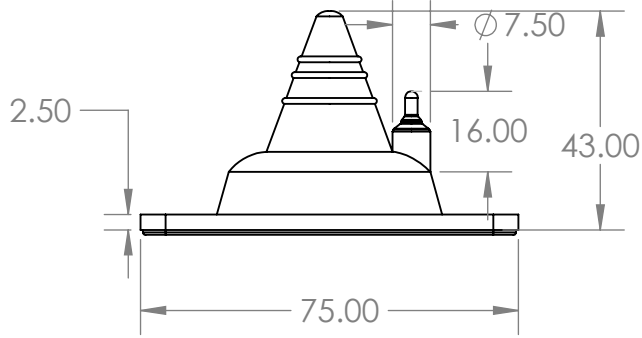


2

1

MasterFlash No0 Square Base 0 – 20mm Silicone

B



Description

- EPDM rubber.
- Available in Black, Grey and silicone red.
- Also available in BHP roofing colours on request.
- Size range: 0mm to 1m available.
- All EPDM Master Flash pipe flashings have a high temperature resistance of 135°C intermittently. A red silicone compound is also available, and this product has a high resistance of 260°C intermittently.
- Complies with BAL rating requirements.

FAQs

- What is the highest temperature a Master Flash® pipe flashing will handle?**
- All EPDM MasterFlash flashings 135°C intermittently.
 - A silicone red flashing has a high resistance of 260°C intermittently.
- What type of sealant should be used on the Master Flash® flashings?**
- A good quality roof & gutter silicone sealant should always be used when installing a Master Flash pipe flashing for metal roofs.
- What type of screws should be used to fasten the flashings?**
- The use of a self-drilling screw or pop rivet (sealed) is always recommended.
- What is the life expectancy of the Master Flash® flashings?**
- All Master Flash products carry a 25-year warranty.
- What is the maximum roof pitch that the flashings can be used for?**
- Most of our products are designed to cater to a roof pitch of 45°. If more is required, then our Master Flash Extreme Angle range is designed with a built in 40° pitch and therefore can handle a roof pitch from 35° – 65°.
- Is there a product that can flash a Square Pipe?**
- Yes, our Master Flash Square Vent Range is available and will suit penetrations from 20mm – 125mm. Now also available in a lead base option.

B

A



PROPRIETARY AND CONFIDENTIAL
THE INFORMATION CONTAINED IN THIS DRAWING IS THE SOLE PROPERTY OF <INSERT COMPANY NAME HERE>. ANY REPRODUCTION IN PART OR AS A WHOLE WITHOUT THE WRITTEN PERMISSION OF <INSERT COMPANY NAME HERE> IS PROHIBITED.

UNLESS OTHERWISE SPECIFIED:		NAME	DATE
DIMENSIONS ARE IN INCHES TOLERANCES: FRACTIONAL ± ANGULAR: MACH ± BEND ± TWO PLACE DECIMAL ± THREE PLACE DECIMAL ±		DRAWN	
		CHECKED	
		ENG APPR.	
		MFG APPR.	
INTERPRET GEOMETRIC TOLERANCING PER:		Q.A.	
MATERIAL		COMMENTS:	
FINISH			
NEXT ASSY	USED ON		
APPLICATION		DO NOT SCALE DRAWING	

TITLE:			
SIZE	DWG. NO.	REV	
A	MFSOS		
SCALE: 1:2	WEIGHT:	SHEET 1 OF 1	

A

2

1