

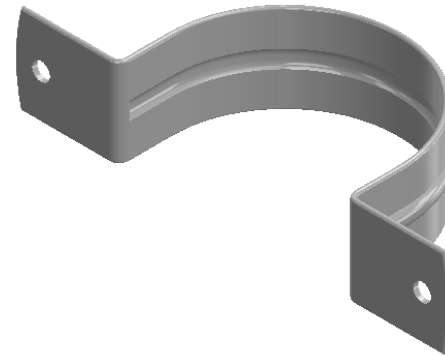
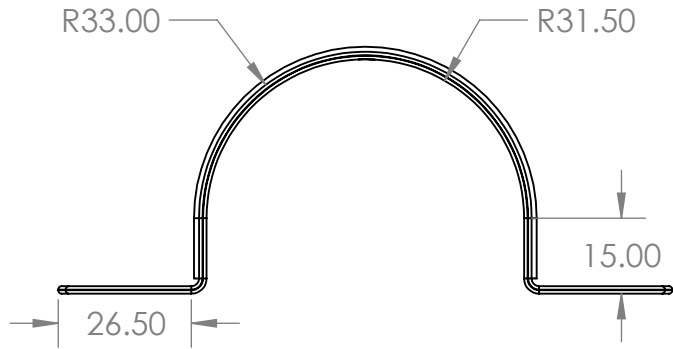
2

1

Saddle Pressure Pipe N/C 50mm

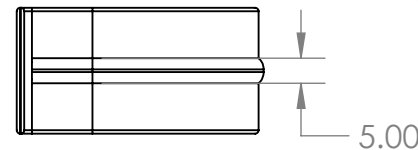
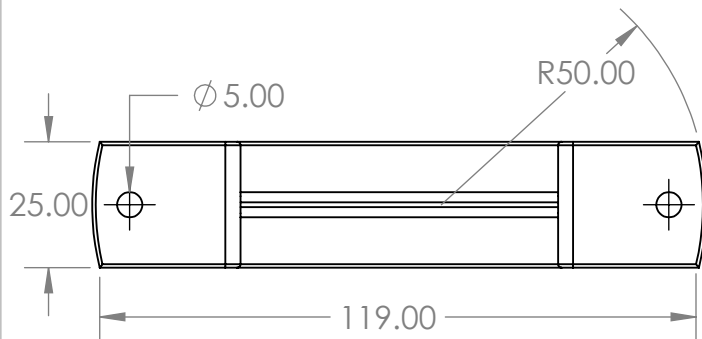
B

B



Description

- Complies to AS/NZS 3500
- Protected against electrolysis, corrosion and water hammering
- Suits PVC Pressure Pipes
- Also available in Chrome Plated



A

A



PROPRIETARY AND CONFIDENTIAL

THE INFORMATION CONTAINED IN THIS DRAWING IS THE SOLE PROPERTY OF AZTEC AUSTRALASIA. ANY REPRODUCTION IN PART OR AS A WHOLE WITHOUT THE WRITTEN PERMISSION OF AZTEC AUSTRALASIA IS PROHIBITED.

		UNLESS OTHERWISE SPECIFIED:		NAME	DATE			
		DIMENSIONS ARE IN INCHES	DRAWN			TITLE:		
		TOLERANCES:	CHECKED					
		FRACTIONAL ±	ENG APPR.					
		ANGULAR: MACH ± BEND ±	MFG APPR.					
		TWO PLACE DECIMAL ±	Q.A.			SIZE	DWG. NO.	REV
		THREE PLACE DECIMAL ±	COMMENTS:			A	IGSPP50	
		INTERPRET GEOMETRIC TOLERANCING PER:				SCALE: 1:2	WEIGHT:	SHEET 1 OF 1
		MATERIAL						
		FINISH						
	NEXT ASSY	USED ON						
	APPLICATION		DO NOT SCALE DRAWING					

2

1