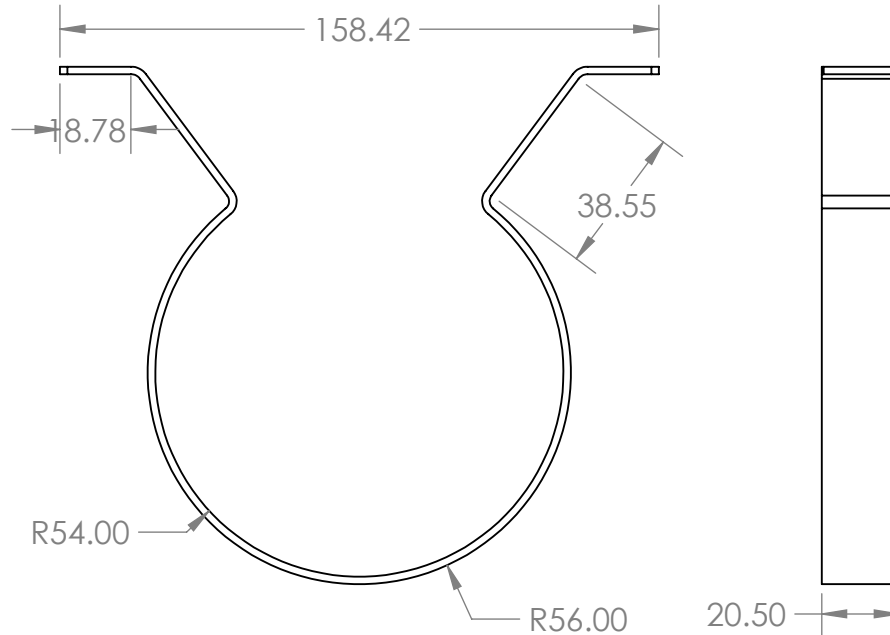
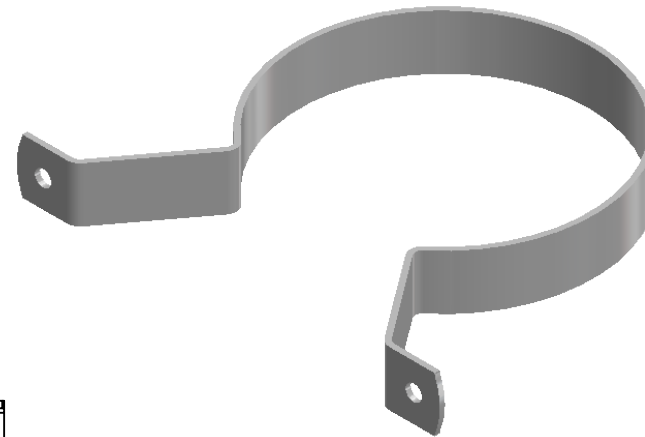
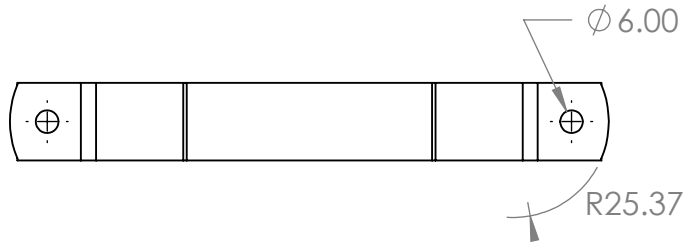


2

1

**Saddle DWV Pipe 100mm N/C Standoff**



**Description**

- Complies to AS/NZS 3500
- Protected against electrolysis, corrosion and water hammering
- Suits DWV Low Pressure drainage Pipes

B

B

A

A



**PROPRIETARY AND CONFIDENTIAL**  
 THE INFORMATION CONTAINED IN THIS DRAWING IS THE SOLE PROPERTY OF AZTEC AUSTRALASIA. ANY REPRODUCTION IN PART OR AS A WHOLE WITHOUT THE WRITTEN PERMISSION OF AZTEC AUSTRALASIA IS PROHIBITED.

		UNLESS OTHERWISE SPECIFIED:		NAME	DATE			
		DIMENSIONS ARE IN INCHES		DRAWN		TITLE:		
		TOLERANCES:		CHECKED				
		FRACTIONAL $\pm$		ENG APPR.				
		ANGULAR: MACH $\pm$ BEND $\pm$		MFG APPR.				
		TWO PLACE DECIMAL $\pm$		Q.A.				
		THREE PLACE DECIMAL $\pm$		COMMENTS:		SIZE	DWG. NO.	REV
NEXT ASSY	USED ON	MATERIAL				<b>A</b>	IGSO100DWVNC	
APPLICATION		FINISH				SCALE: 1:2	WEIGHT:	SHEET 1 OF 1
		DO NOT SCALE DRAWING						

2

1