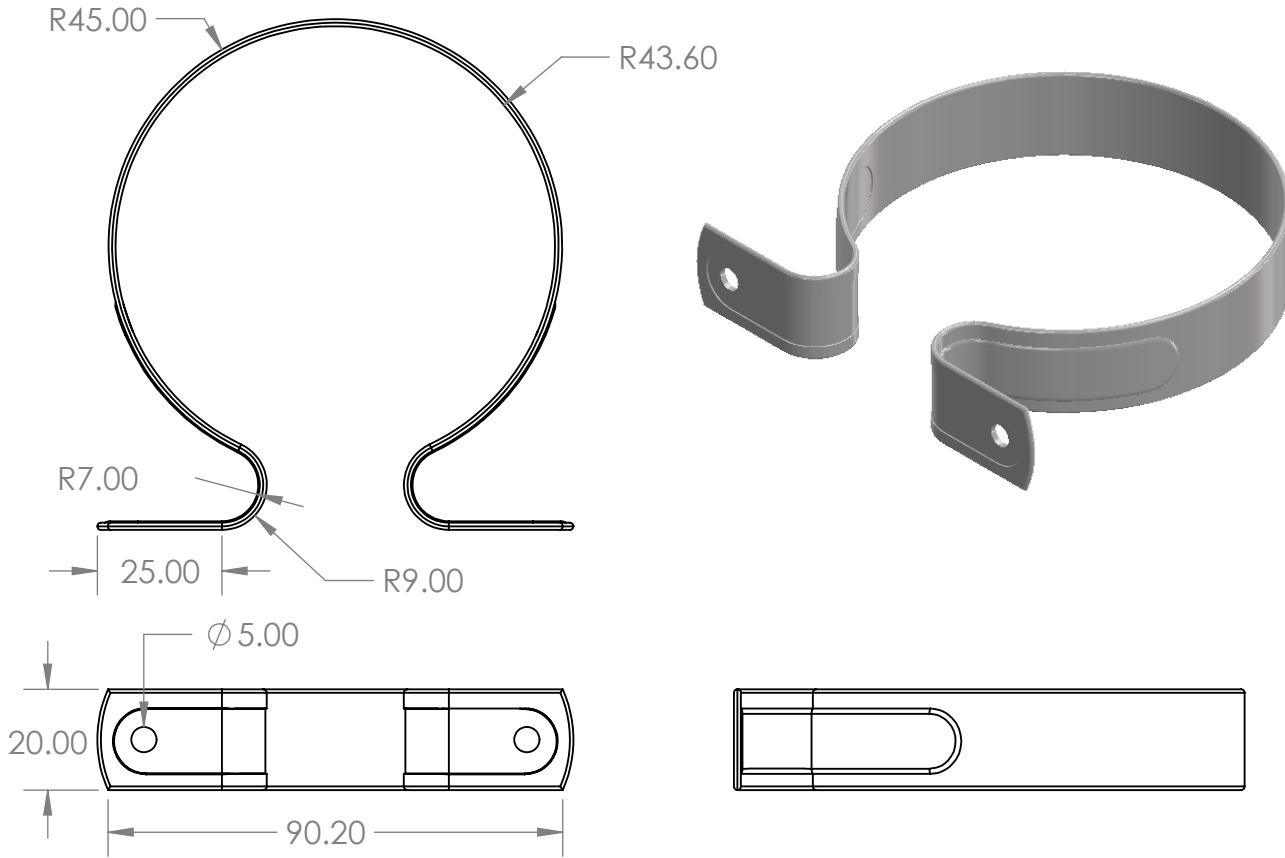


2

1

### Saddle Leg DWV Pipe 80mm N/C



#### Description

- Complies to AS/NZS 3500
- Protected against electrolysis, corrosion and water hammering
- Suits DWV Low Pressure drainage Pipes

B

B

A

A



**PROPRIETARY AND CONFIDENTIAL**

THE INFORMATION CONTAINED IN THIS DRAWING IS THE SOLE PROPERTY OF AZTEC AUSTRALASIA. ANY REPRODUCTION IN PART OR AS A WHOLE WITHOUT THE WRITTEN PERMISSION OF AZTEC AUSTRALASIA IS PROHIBITED.

|  |             |                                      |                      |      |      |            |                 |              |
|--|-------------|--------------------------------------|----------------------|------|------|------------|-----------------|--------------|
|  |             | UNLESS OTHERWISE SPECIFIED:          |                      | NAME | DATE |            |                 |              |
|  |             | DIMENSIONS ARE IN INCHES             | DRAWN                |      |      | TITLE:     |                 |              |
|  |             | TOLERANCES:                          | CHECKED              |      |      |            |                 |              |
|  |             | FRACTIONAL ±                         | ENG APPR.            |      |      |            |                 |              |
|  |             | ANGULAR: MACH ± BEND ±               | MFG APPR.            |      |      |            |                 |              |
|  |             | TWO PLACE DECIMAL ±                  | Q.A.                 |      |      | SIZE       | DWG. NO.        | REV          |
|  |             | THREE PLACE DECIMAL ±                | COMMENTS:            |      |      | <b>A</b>   | <b>IGSL80NC</b> |              |
|  |             | INTERPRET GEOMETRIC TOLERANCING PER: |                      |      |      | SCALE: 1:2 | WEIGHT:         | SHEET 1 OF 1 |
|  |             | MATERIAL                             |                      |      |      |            |                 |              |
|  |             | FINISH                               |                      |      |      |            |                 |              |
|  | NEXT ASSY   | USED ON                              |                      |      |      |            |                 |              |
|  | APPLICATION |                                      | DO NOT SCALE DRAWING |      |      |            |                 |              |

2

1