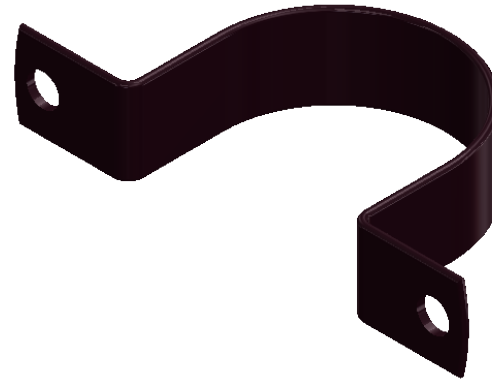
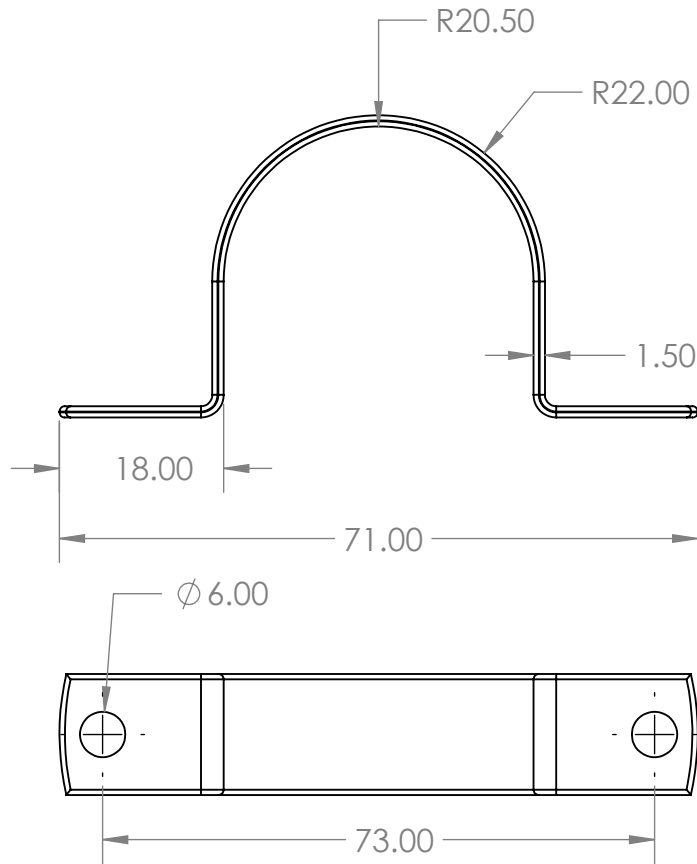


2

1

Saddle Copper Tube N/C 40mm



Description

- Complies to AS/NZS 3500
- Protected against electrolysis, corrosion and water hammering
- Suits Copper Tube
- Also available in Chrome Plated

B

B

A

A



PROPRIETARY AND CONFIDENTIAL
 THE INFORMATION CONTAINED IN THIS DRAWING IS THE SOLE PROPERTY OF AZTEC AUSTRALASIA. ANY REPRODUCTION IN PART OR AS A WHOLE WITHOUT THE WRITTEN PERMISSION OF AZTEC AUSTRALASIA IS PROHIBITED.

		UNLESS OTHERWISE SPECIFIED:		NAME	DATE	TITLE:											
		DIMENSIONS ARE IN INCHES	DRAWN						SIZE DWG. NO. REV A IGSC40NC								
		TOLERANCES:	CHECKED									SCALE: 1:1 WEIGHT: SHEET 1 OF 1					
		FRACTIONAL ±	ENG APPR.												SHEET 1 OF 1		
		ANGULAR: MACH ± BEND ±	MFG APPR.														
		TWO PLACE DECIMAL ±	Q.A.			SHEET 1 OF 1											
		THREE PLACE DECIMAL ±	COMMENTS:						SHEET 1 OF 1								
		INTERPRET GEOMETRIC TOLERANCING PER:										SHEET 1 OF 1					
		MATERIAL													SHEET 1 OF 1		
NEXT ASSY	USED ON	FINISH															
APPLICATION		DO NOT SCALE DRAWING				SHEET 1 OF 1											

2

1