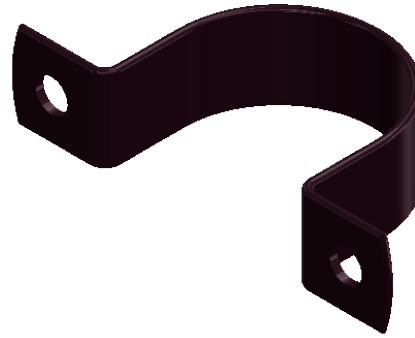
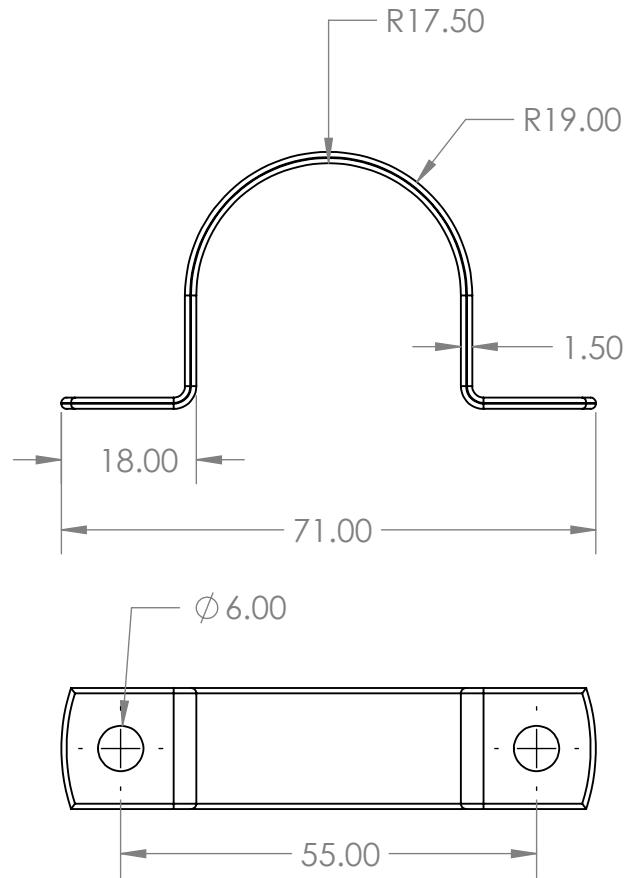


2

1

Saddle Copper Tube N/C 32mm



Description

- Complies to AS/NZS 3500
- Protected against electrolysis, corrosion and water hammering
- Suits Copper Tube
- Also available in Chrome Plated

B

B

A

A



PROPRIETARY AND CONFIDENTIAL

THE INFORMATION CONTAINED IN THIS DRAWING IS THE SOLE PROPERTY OF AZTEC AUSTRALASIA. ANY REPRODUCTION IN PART OR AS A WHOLE WITHOUT THE WRITTEN PERMISSION OF AZTEC AUSTRALASIA IS PROHIBITED.

		UNLESS OTHERWISE SPECIFIED:		NAME	DATE		
		DIMENSIONS ARE IN INCHES	DRAWN			TITLE:	
		TOLERANCES:	CHECKED				
		FRACTIONAL ±	ENG APPR.				
		ANGULAR: MACH ± BEND ±	MFG APPR.				
		TWO PLACE DECIMAL ±	Q.A.				
		THREE PLACE DECIMAL ±	COMMENTS:				
		INTERPRET GEOMETRIC TOLERANCING PER:					
		MATERIAL			SIZE	DWG. NO.	REV
		FINISH			A	IGSC32NC	
NEXT ASSY	USED ON				SCALE: 1:1	WEIGHT:	SHEET 1 OF 1
APPLICATION		DO NOT SCALE DRAWING					

2

1