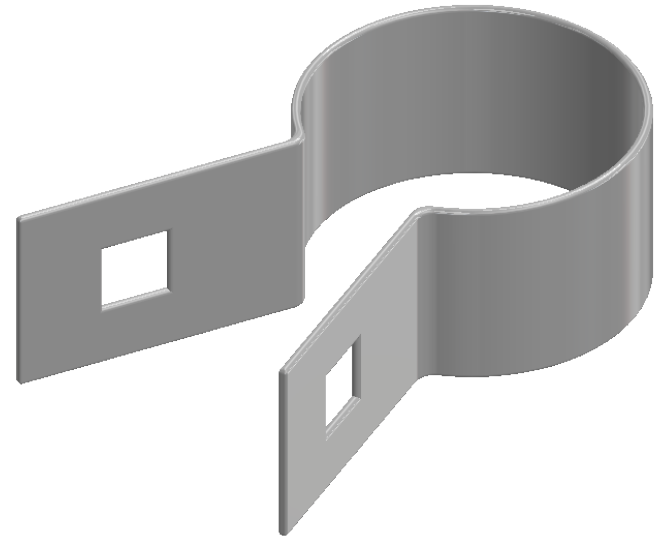
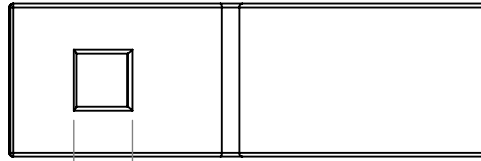
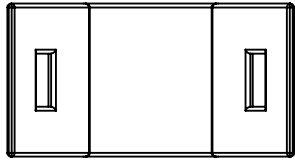


2

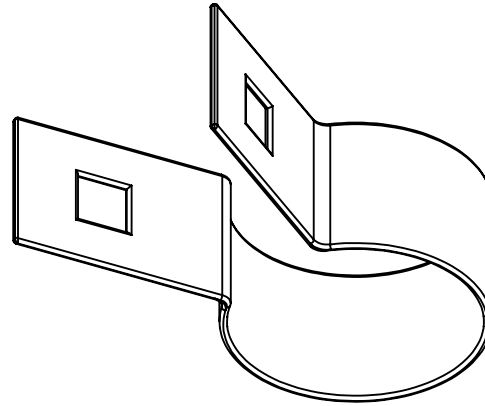
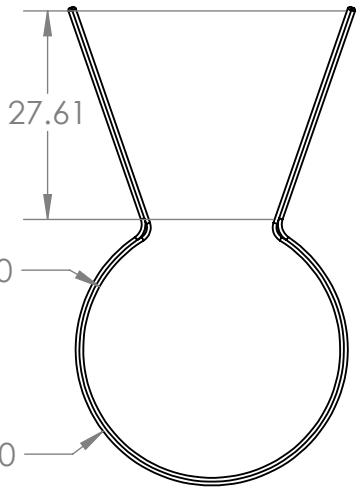
1

**Clip Head N/C For Galvanised Pipe 32mm**



B

B



**Description**

- Full range of Bolted Clip Head to suit Copper piping system includes extensions shanks and brackets to cover all your requirements.
- all Galvanising is done to the required G2-Z275 Standard and Powder coated for additional protection
- Suits Copper pipe

A

A



**PROPRIETARY AND CONFIDENTIAL**

THE INFORMATION CONTAINED IN THIS DRAWING IS THE SOLE PROPERTY OF AZTEC AUSTRALASIA. ANY REPRODUCTION IN PART OR AS A WHOLE WITHOUT THE WRITTEN PERMISSION OF AZTEC AUSTRALASIA IS PROHIBITED.

		UNLESS OTHERWISE SPECIFIED:		NAME	DATE			
		DIMENSIONS ARE IN INCHES		DRAWN		TITLE:		
		TOLERANCES:		CHECKED				
		FRACTIONAL ±		ENG APPR.				
		ANGULAR: MACH ± BEND ±		MFG APPR.				
		TWO PLACE DECIMAL ±		Q.A.				
		THREE PLACE DECIMAL ±		COMMENTS:				
		INTERPRET GEOMETRIC TOLERANCING PER:				SIZE	DWG. NO.	REV
		MATERIAL				<b>A</b>	<b>IGCH32PPNC</b>	
NEXT ASSY	USED ON	FINISH				SCALE: 1:1	WEIGHT:	SHEET 1 OF 1
	APPLICATION	DO NOT SCALE DRAWING						

2

1