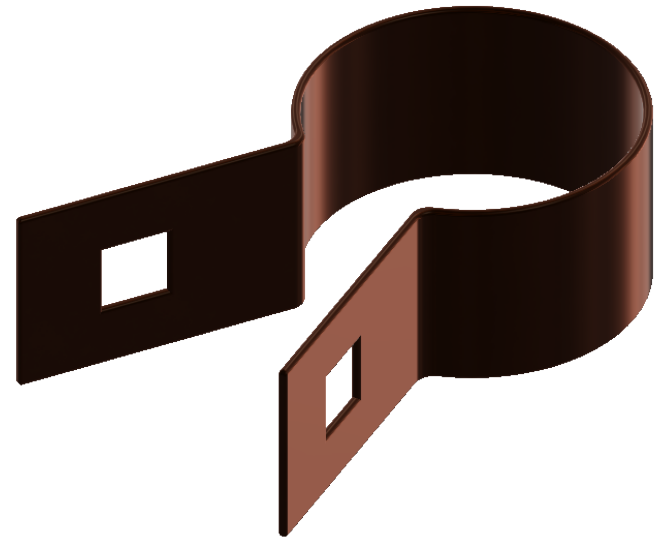
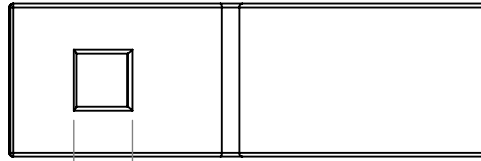
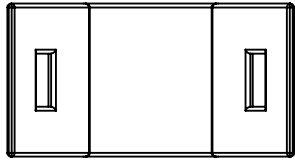


2

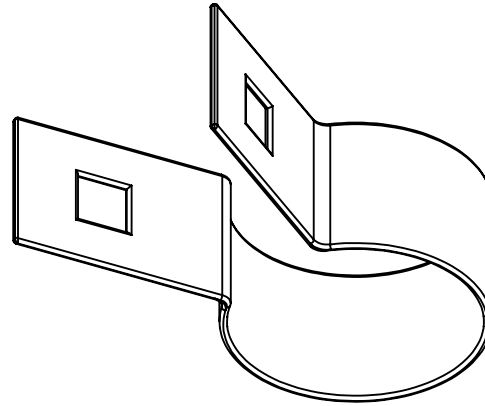
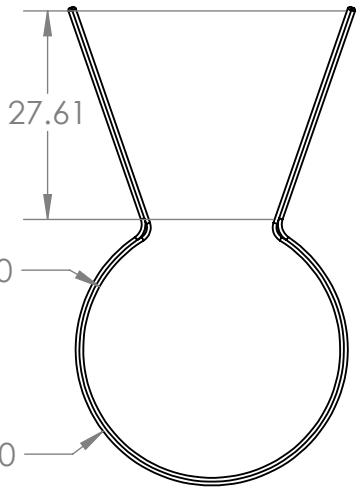
1

Clip Head N/C For Copper Pipe 32mm



B

B



Description

- Full range of Bolted Clip Head to suit Copper piping system includes extensions shanks and brackets to cover all your requirements.
- all Galvanising is done to the required G2-Z275 Standard and Powder coated for additional protection
- Suits Copper pipe

A

A



PROPRIETARY AND CONFIDENTIAL

THE INFORMATION CONTAINED IN THIS DRAWING IS THE SOLE PROPERTY OF AZTEC AUSTRALASIA. ANY REPRODUCTION IN PART OR AS A WHOLE WITHOUT THE WRITTEN PERMISSION OF AZTEC AUSTRALASIA IS PROHIBITED.

		UNLESS OTHERWISE SPECIFIED:		NAME	DATE	TITLE:	
		DIMENSIONS ARE IN INCHES	DRAWN			SIZE	
		TOLERANCES:	CHECKED			DWG. NO.	
		FRACTIONAL ±	ENG APPR.			REV	
		ANGULAR: MACH ± BEND ±	MFG APPR.			SCALE: 1:1	
		TWO PLACE DECIMAL ±	Q.A.			WEIGHT:	
		THREE PLACE DECIMAL ±	COMMENTS:			SHEET 1 OF 1	
		INTERPRET GEOMETRIC TOLERANCING PER:				A IGCH32C	
		MATERIAL					
		FINISH					
NEXT ASSY	USED ON						
APPLICATION		DO NOT SCALE DRAWING					

2

1