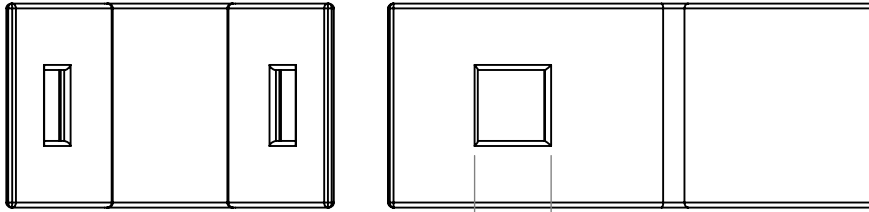


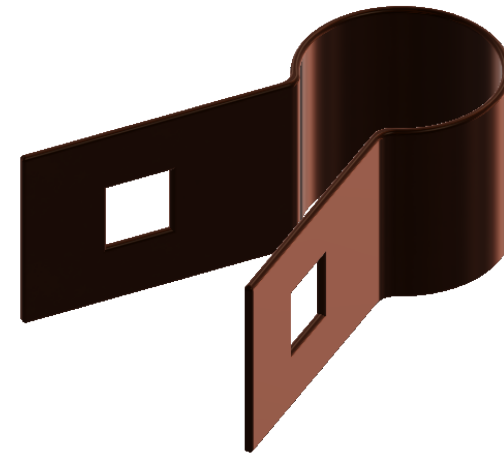
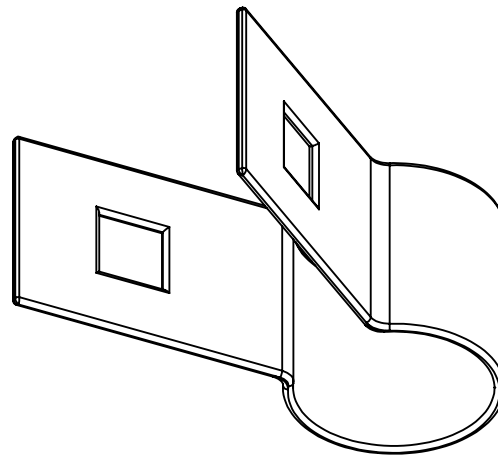
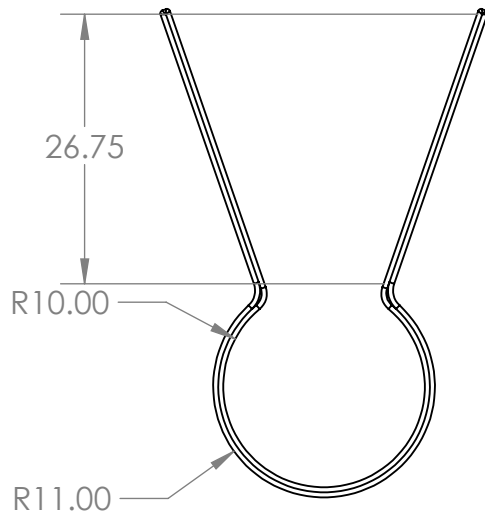
2

1

### Clip Head N/C For Copper Pipe 20mm



7.61



#### Description

- Full range of Bolted Clip Head to suit Copper piping system includes extensions shanks and brackets to cover all your requirements.
- all Galvanising is done to the required G2-Z275 Standard and Powder coated for additional protection
- Suits Copper pipe

B

B

A

A



#### PROPRIETARY AND CONFIDENTIAL

THE INFORMATION CONTAINED IN THIS DRAWING IS THE SOLE PROPERTY OF AZTEC AUSTRALASIA. ANY REPRODUCTION IN PART OR AS A WHOLE WITHOUT THE WRITTEN PERMISSION OF AZTEC AUSTRALASIA IS PROHIBITED.

		UNLESS OTHERWISE SPECIFIED:		NAME	DATE
		DIMENSIONS ARE IN INCHES	DRAWN		
		TOLERANCES:	CHECKED		
		FRACTIONAL ±	ENG APPR.		
		ANGULAR: MACH ± BEND ±	MFG APPR.		
		TWO PLACE DECIMAL ±	Q.A.		
		THREE PLACE DECIMAL ±	COMMENTS:		
		INTERPRET GEOMETRIC TOLERANCING PER:			
		MATERIAL			
NEXT ASSY	USED ON	FINISH			
APPLICATION		DO NOT SCALE DRAWING			

TITLE:

SIZE	DWG. NO.	REV
<b>AIGCH20NCC</b>		
SCALE: 1:1	WEIGHT:	SHEET 1 OF 1

2

1