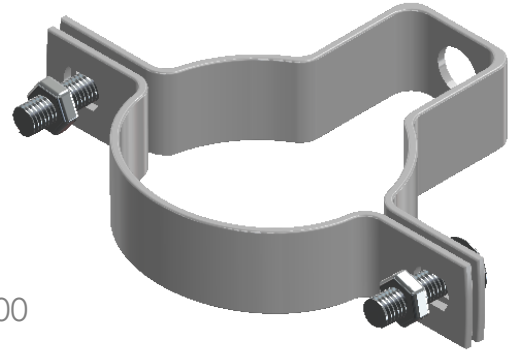
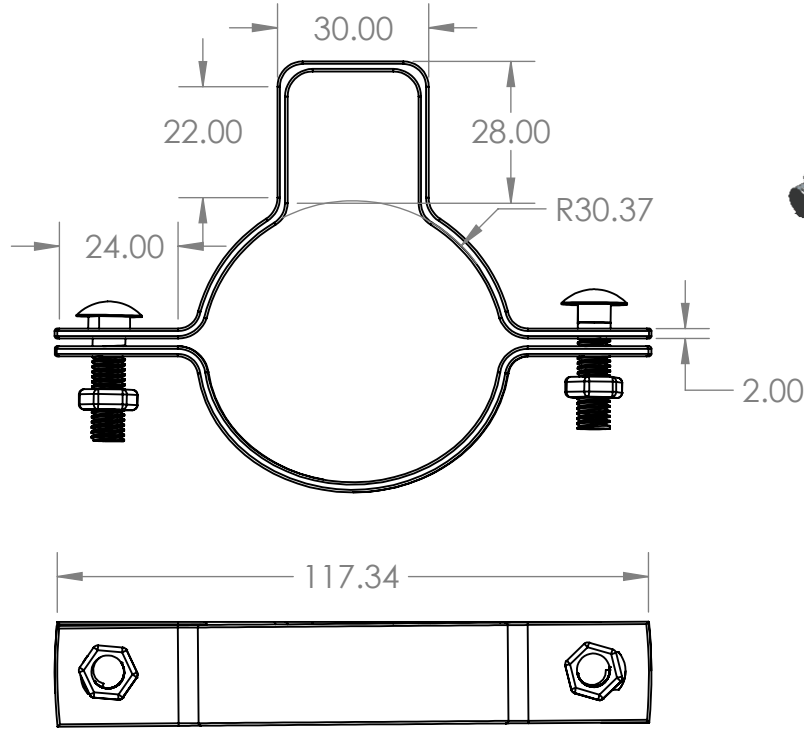


2

1

### All Thread Adjustable Hanger PVC N/C 50mm



#### Description

- Full range of extensions Brackets and Shanks allows for pipe installations of all types of applications.
- all Galvanising is done to the required G2-Z275 Standard and Powder coated for additional protection

B

B

A

A



**PROPRIETARY AND CONFIDENTIAL**  
 THE INFORMATION CONTAINED IN THIS DRAWING IS THE SOLE PROPERTY OF AZTEC AUSTRALASIA. ANY REPRODUCTION IN PART OR AS A WHOLE WITHOUT THE WRITTEN PERMISSION OF AZTEC AUSTRALASIA IS PROHIBITED.

		UNLESS OTHERWISE SPECIFIED:		NAME	DATE	TITLE:					
		DIMENSIONS ARE IN INCHES	DRAWN								
		TOLERANCES:	CHECKED								
		FRACTIONAL ±	ENG APPR.								
		ANGULAR: MACH ± BEND ±	MFG APPR.								
		TWO PLACE DECIMAL ±	Q.A.								
		THREE PLACE DECIMAL ±	COMMENTS:								
		INTERPRET GEOMETRIC TOLERANCING PER:				SIZE	DWG. NO.	REV			
		MATERIAL				<b>AIGCAPVC50</b>					
		FINISH				SCALE: 1:2	WEIGHT:	SHEET 1 OF 1			
	NEXT ASSY	USED ON									
	APPLICATION										
			DO NOT SCALE DRAWING								

2

1