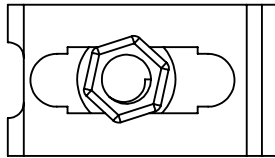
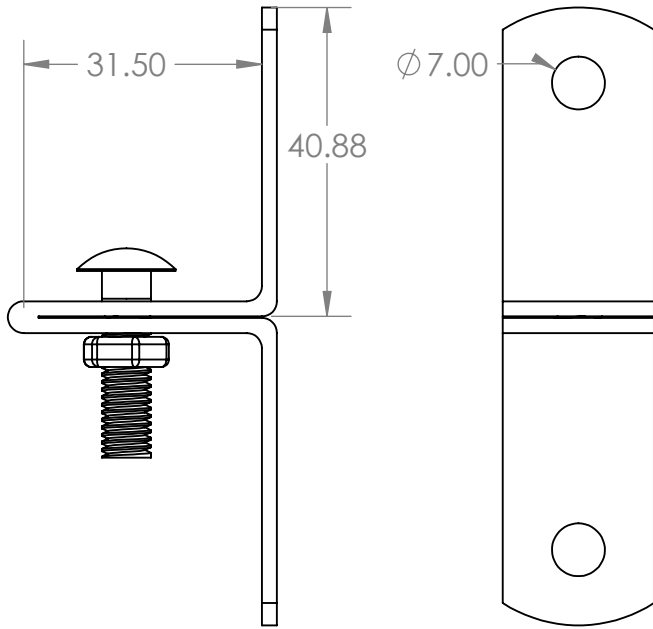


2

1

Bracket Fixing Only Standard Stand off



Description

– Full range of extensions Brackets and Shanks allows for pipe installations of all types of applications.

– all Galvanising is done to the required G2-Z275 Standard and Powder coated for additional protection

B

B

A

A



PROPRIETARY AND CONFIDENTIAL

THE INFORMATION CONTAINED IN THIS DRAWING IS THE SOLE PROPERTY OF AZTEC AUSTRALASIA. ANY REPRODUCTION IN PART OR AS A WHOLE WITHOUT THE WRITTEN PERMISSION OF AZTEC AUSTRALASIA IS PROHIBITED.

		UNLESS OTHERWISE SPECIFIED:		NAME	DATE			
		DIMENSIONS ARE IN INCHES	DRAWN			TITLE:		
		TOLERANCES:	CHECKED					
		FRACTIONAL ±	ENG APPR.					
		ANGULAR: MACH ± BEND ±	MFG APPR.					
		TWO PLACE DECIMAL ±	Q.A.					
		THREE PLACE DECIMAL ±	COMMENTS:					
		INTERPRET GEOMETRIC TOLERANCING PER:				SIZE	DWG. NO.	REV
		MATERIAL				A	IGBFIX	
NEXT ASSY	USED ON	FINISH				SCALE: 1:1	WEIGHT:	SHEET 1 OF 1
	APPLICATION	DO NOT SCALE DRAWING						

2

1