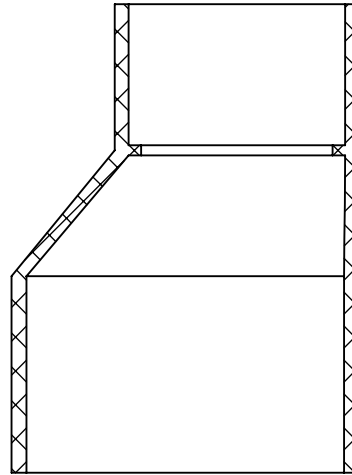
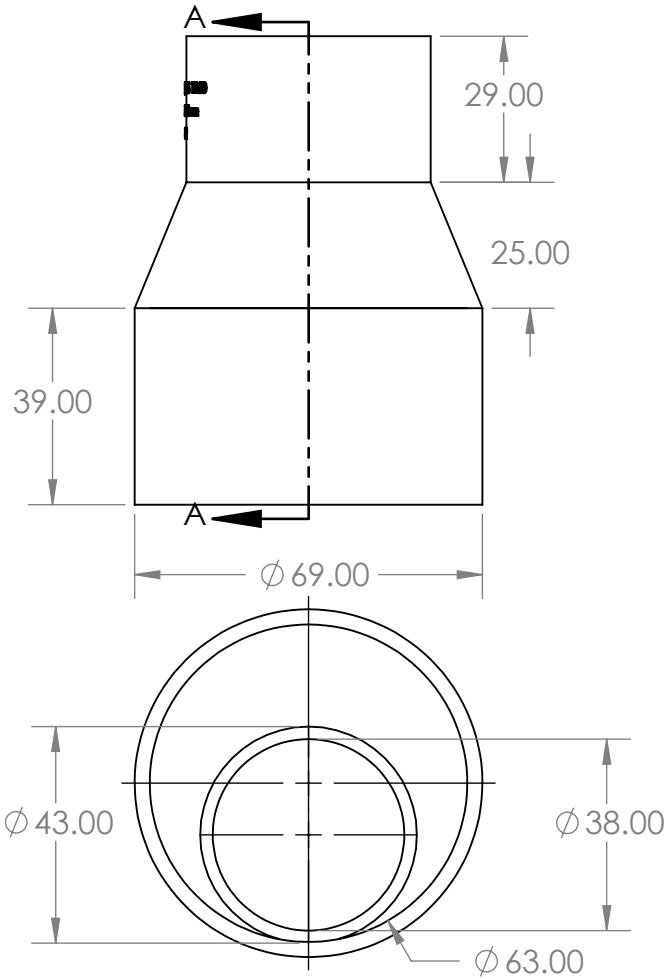


2

1

DWV Level Invert Taper 65mm x 40mm



SECTION A-A
SCALE 1 : 1.5



Description

DWV Fittings are used for non-pressure applications. Aztecs DWV range complies with AS/NZS 1260.

- Comply with AS/NZS 1260
- WaterMark Certified
- Size range: DN40 – DN100
- Working temperature: 0°C – 50°C

B

B

A

A



PROPRIETARY AND CONFIDENTIAL

THE INFORMATION CONTAINED IN THIS DRAWING IS THE SOLE PROPERTY OF <INSERT COMPANY NAME HERE>. ANY REPRODUCTION IN PART OR AS A WHOLE WITHOUT THE WRITTEN PERMISSION OF <INSERT COMPANY NAME HERE> IS PROHIBITED.

		UNLESS OTHERWISE SPECIFIED:		NAME	DATE		
		DIMENSIONS ARE IN INCHES	DRAWN			TITLE:	
		TOLERANCES:	CHECKED				
		FRACTIONAL ±	ENG APPR.				
		ANGULAR: MACH ± BEND ±	MFG APPR.				
		TWO PLACE DECIMAL ±	Q.A.				
		THREE PLACE DECIMAL ±	COMMENTS:				
		INTERPRET GEOMETRIC TOLERANCING PER:					
		MATERIAL			SIZE	DWG. NO.	REV
		FINISH			A DWVLT6540		
NEXT ASSY	USED ON	DO NOT SCALE DRAWING			SCALE: 1:2	WEIGHT:	SHEET 1 OF 1
APPLICATION							

2

1