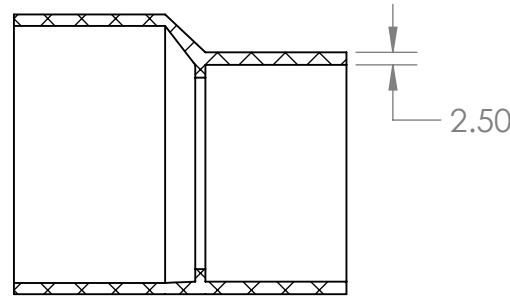
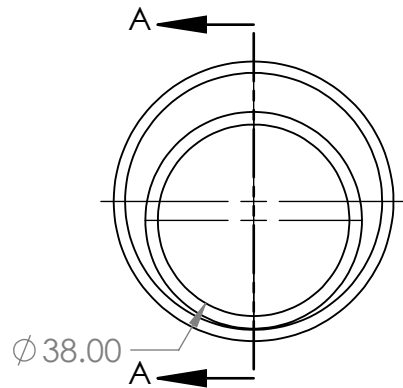
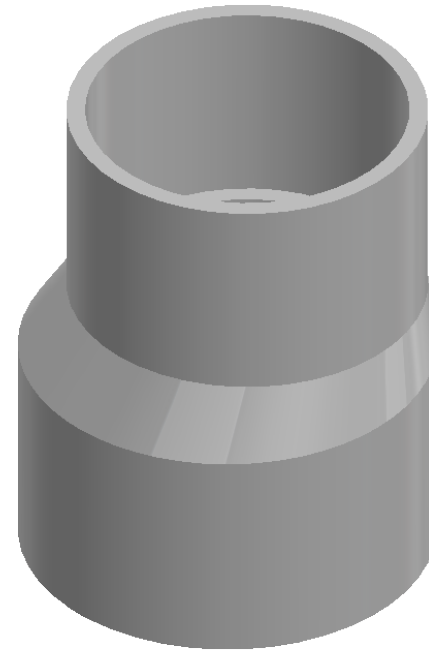
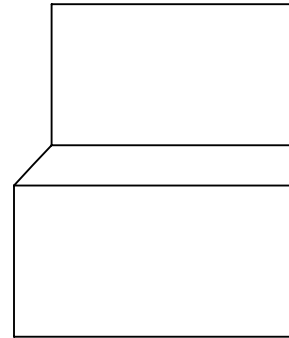
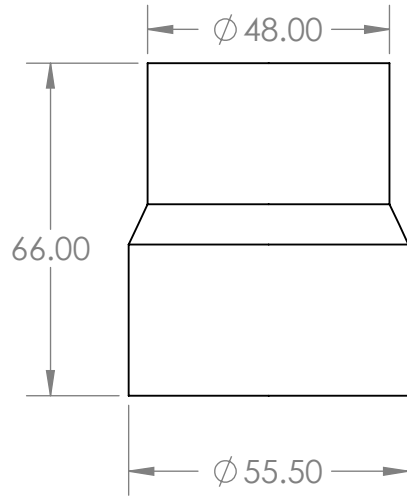


2

1

DWV Level Invert Taper 50mm x 40mm



SECTION A-A
SCALE 1 : 1.5

Description

DWV Fittings are used for non-pressure applications. Aztecs DWV range complies with AS/NZS 1260.

- Comply with AS/NZS 1260
- WaterMark Certified
- Size range: DN40 – DN100
- Working temperature: 0°C – 50°C

B

B

A

A



PROPRIETARY AND CONFIDENTIAL

THE INFORMATION CONTAINED IN THIS DRAWING IS THE SOLE PROPERTY OF AZTEC AUSTRALASIA. ANY REPRODUCTION IN PART OR AS A WHOLE WITHOUT THE WRITTEN PERMISSION OF AZTEC AUSTRALASIA IS PROHIBITED.

		UNLESS OTHERWISE SPECIFIED:		NAME	DATE
		DIMENSIONS ARE IN INCHES	DRAWN		
		TOLERANCES:	CHECKED		
		FRACTIONAL ±	ENG APPR.		
		ANGULAR: MACH ± BEND ±	MFG APPR.		
		TWO PLACE DECIMAL ±	Q.A.		
		THREE PLACE DECIMAL ±	COMMENTS:		
		INTERPRET GEOMETRIC TOLERANCING PER:			
		MATERIAL			
		FINISH			
NEXT ASSY	USED ON				
APPLICATION		DO NOT SCALE DRAWING			

TITLE:		
SIZE	DWG. NO.	REV
A	DWVLT5040	
SCALE: 1:2	WEIGHT:	SHEET 1 OF 1

2

1