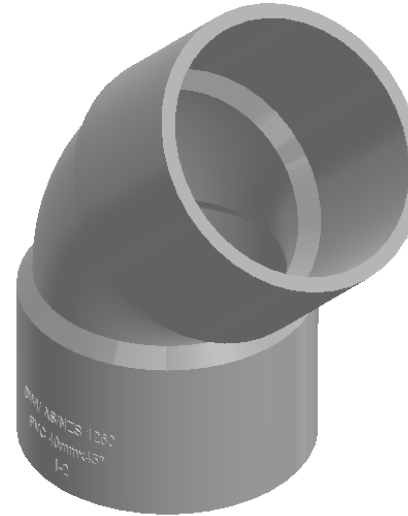
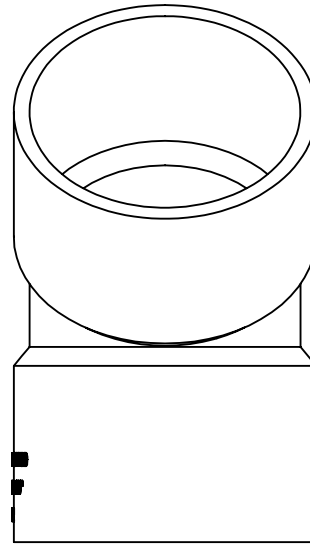
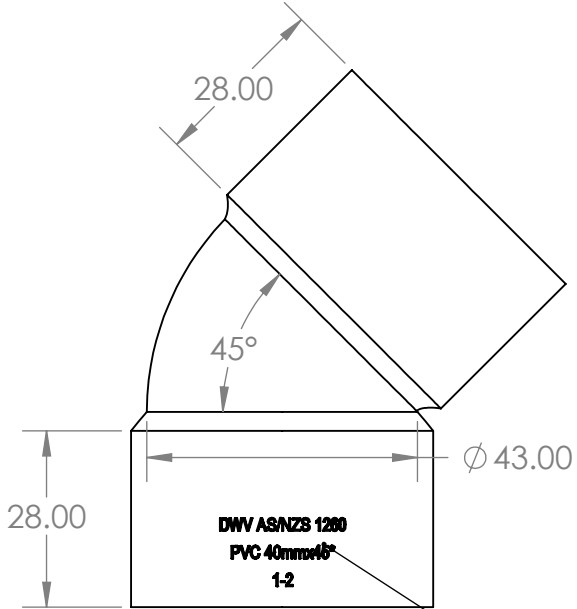
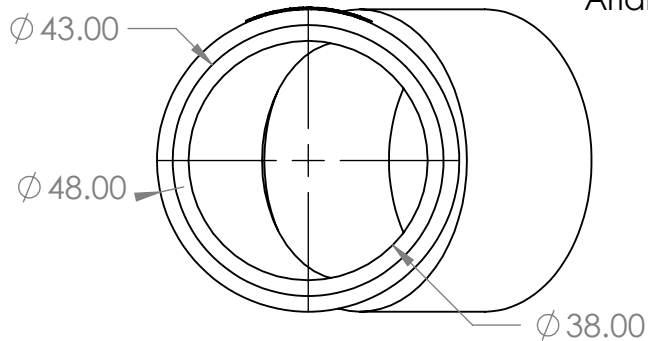


DWV Plain Bend F/F 40mm x 45°

B



B



Arial Embossed 0.3mm Deep

Description

- DWV Fittings are used for non-pressure applications. Aztecs DWV range complies with AS/NZS 1260.
- Comply with AS/NZS 1260
 - WaterMark Certified
 - Size range: DN40 - DN100
 - Working temperature: 0°C - 50°C

A



PROPRIETARY AND CONFIDENTIAL

THE INFORMATION CONTAINED IN THIS DRAWING IS THE SOLE PROPERTY OF AZTEC AUSTRALASIA. ANY REPRODUCTION IN PART OR AS A WHOLE WITHOUT THE WRITTEN PERMISSION OF AZTEC AUSTRALASIA IS PROHIBITED.

		UNLESS OTHERWISE SPECIFIED:		NAME	DATE
		DIMENSIONS ARE IN INCHES	DRAWN		
		TOLERANCES:	CHECKED		
		FRACTIONAL ±	ENG APPR.		
		ANGULAR: MACH ± BEND ±	MFG APPR.		
		TWO PLACE DECIMAL ±	Q.A.		
		THREE PLACE DECIMAL ±	COMMENTS:		
		INTERPRET GEOMETRIC TOLERANCING PER:			
		MATERIAL			
		FINISH			
NEXT ASSY	USED ON				
APPLICATION		DO NOT SCALE DRAWING			

TITLE:

SIZE	DWG. NO.	REV
	ADWVBF4045	
SCALE: 1:2	WEIGHT:	SHEET 1 OF 1

A

2

1