

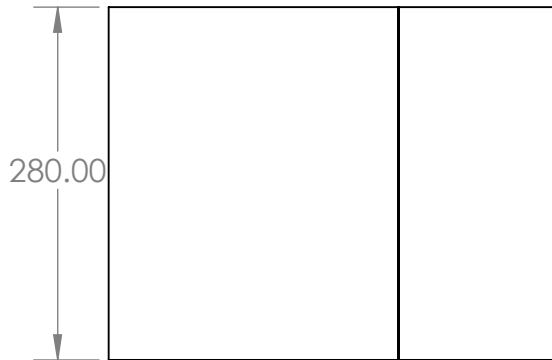
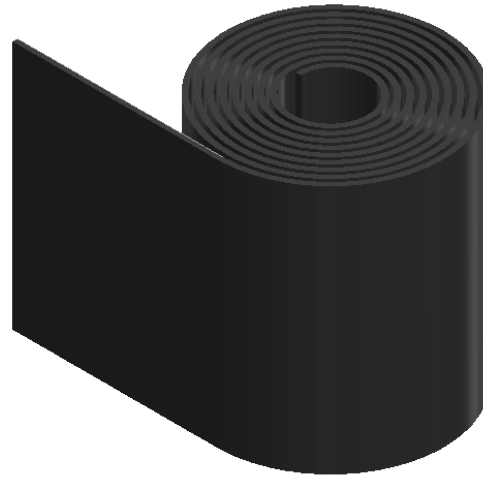
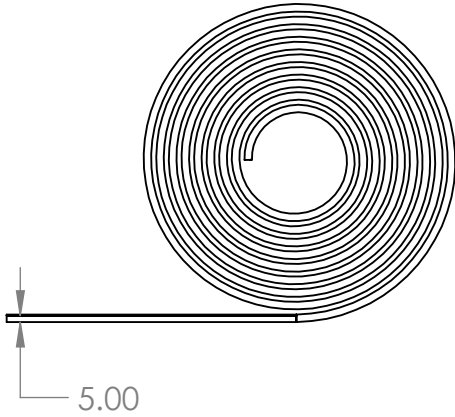
2

1

Aztec ProFlash Roll 280mm x 5mt Blk

B

B



Description

Aztec ProFlash® Flexi Roll has been developed as an alternative to the use of lead material on Roofs. The ProFlash® Flexi Roll membrane material contains an innovative polymer made of advanced isobutylene EPDM embedded with aluminum mesh. While ProFlash® Flexi Roll has the same malleability as lead, it offers many more benefits than lead base flashing:

- Lead free flashing – No more heavy lifting!
- Suitable for drinking water application. Complies with AS/NZS 4020
- Safer and Toxic Free
- UV Rated / Tested
- Complies with the AS/NZS 2904: 1995 Damp Proof Courses and Flashings
- Environmentally friendly – Nontoxic – Lead Free
- Fully adhesive backing
- Easy and quick to install
- Suitable for almost any roof materials and profiles

A

A



PROPRIETARY AND CONFIDENTIAL

THE INFORMATION CONTAINED IN THIS DRAWING IS THE SOLE PROPERTY OF AZTEC AUSTRALASIA. ANY REPRODUCTION IN PART OR AS A WHOLE WITHOUT THE WRITTEN PERMISSION OF AZTEC AUSTRALASIA IS PROHIBITED.

		UNLESS OTHERWISE SPECIFIED:		NAME	DATE
		DIMENSIONS ARE IN INCHES	DRAWN		
		TOLERANCES:	CHECKED		
		FRACTIONAL ±	ENG APPR.		
		ANGULAR: MACH ± BEND ±	MFG APPR.		
		TWO PLACE DECIMAL ±	Q.A.		
		THREE PLACE DECIMAL ±	COMMENTS:		
		INTERPRET GEOMETRIC TOLERANCING PER:			
		MATERIAL			
		FINISH			
NEXT ASSY	USED ON				
APPLICATION		DO NOT SCALE DRAWING			

TITLE:		
SIZE	DWG. NO.	REV
A	AZTPR280B	
SCALE: 1:5	WEIGHT:	SHEET 1 OF 1

2

1