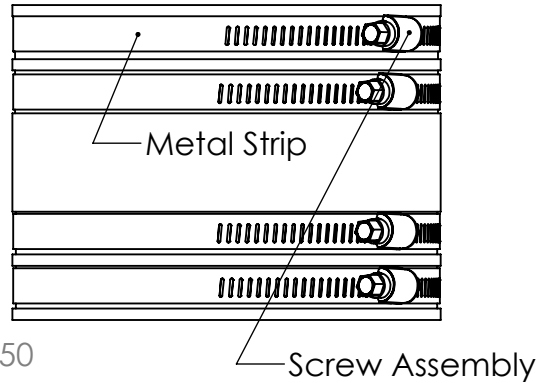
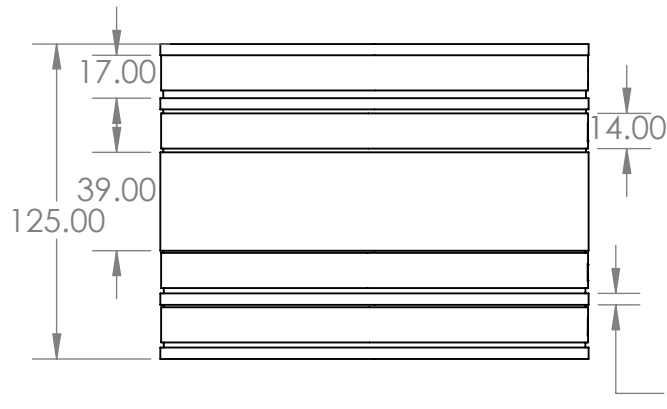


2

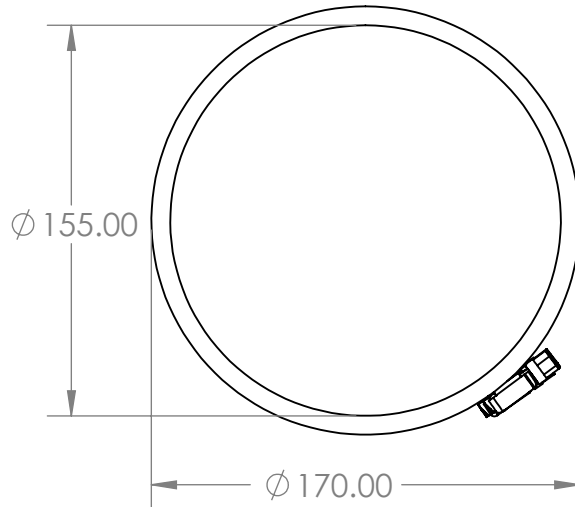
1

# Aussie Connector 150mm PVC D/C Black



B

B



## Description

- Available in two colour options, black or grey.
- Certified to AS/NZS 4327-1995.
- Suitable for low pressure drainage systems.
- Suits multiple pipe materials.
- Below and above ground applications.
- 316 stainless steel bands.
- Temperature range 38c continuous - 60c intermittently.

## FAQs

- Q. What is the use of the flexible connector?  
 A. For the joining of applications of pipes below and above ground. Flexible connectors are suitable for low pressure drainage systems.
- Q. What is Aztec's Aussie Connectors pipe range?  
 A. 32mm – 300mm
- Q. Are these suitable for potable water?  
 A. Testing is not a requirement under the current watermark certificate. Aussie Connectors are not advised to be used on potable waterlines.
- Q. What is the pipe suitability?  
 A. PVC, Copper, Galvanised Steel, Cast Iron.

A

A



**PROPRIETARY AND CONFIDENTIAL**

THE INFORMATION CONTAINED IN THIS DRAWING IS THE SOLE PROPERTY OF AZTEC AUSTRALASIA. ANY REPRODUCTION IN PART OR AS A WHOLE WITHOUT THE WRITTEN PERMISSION OF AZTEC AUSTRALASIA IS PROHIBITED.

		UNLESS OTHERWISE SPECIFIED:		NAME	DATE		
		DIMENSIONS ARE IN INCHES TOLERANCES: FRACTIONAL ± ANGULAR: MACH ± BEND ± TWO PLACE DECIMAL ± THREE PLACE DECIMAL ±	DRAWN			TITLE:	
		INTERPRET GEOMETRIC TOLERANCING PER:	CHECKED				
		MATERIAL	ENG APPR.				
		FINISH	MFG APPR.				
NEXT ASSY	USED ON		Q.A.			SIZE	DWG. NO.
			COMMENTS:			<b>A</b>	AC150PPBDC
APPLICATION		DO NOT SCALE DRAWING				REV	
						SCALE: 1:5	WEIGHT:
						SHEET 1 OF 1	

2

1