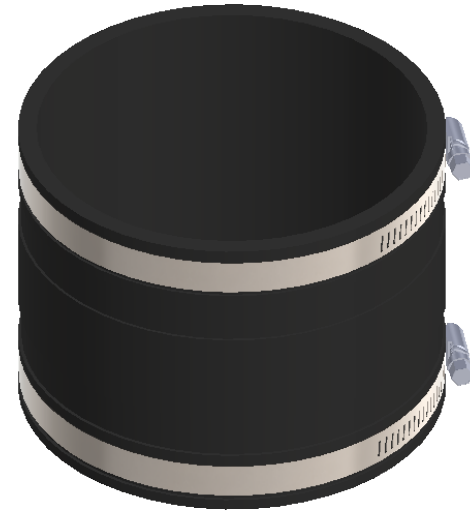
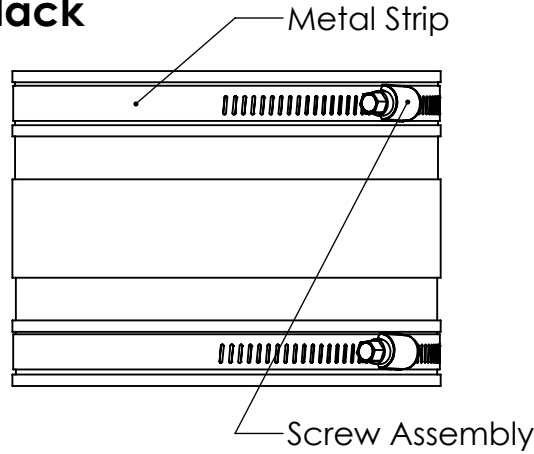
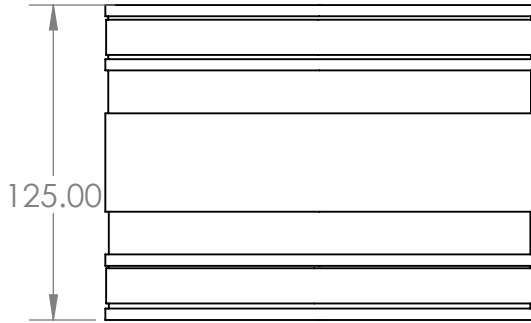


2

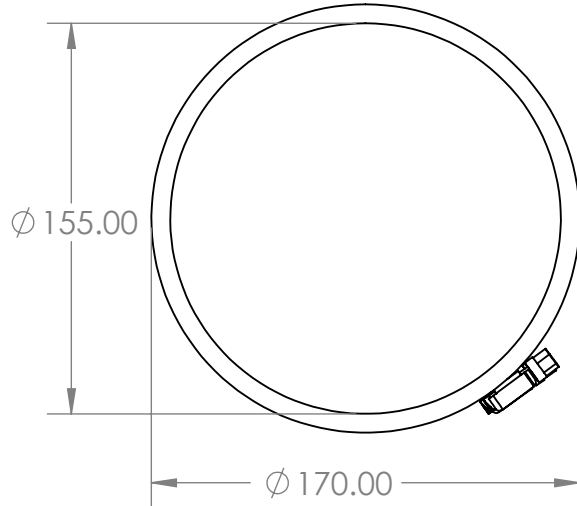
1

# Aussie Connector 150mm PVC Black

B



B



## Description

- Available in two colour options, black or grey.
- Certified to AS/NZS 4327-1995.
- Suitable for low pressure drainage systems.
- Suits multiple pipe materials.
- Below and above ground applications.
- 316 stainless steel bands.
- Temperature range 38c continuous - 60c intermittently.

## FAQs

- Q. What is the use of the flexible connector?  
 A. For the joining of applications of pipes below and above ground. Flexible connectors are suitable for low pressure drainage systems.
- Q. What is Aztec's Aussie Connectors pipe range?  
 A. 32mm – 300mm
- Q. Are these suitable for potable water?  
 A. Testing is not a requirement under the current watermark certificate. Aussie Connectors are not advised to be used on potable waterlines.
- Q. What is the pipe suitability?  
 A. PVC, Copper, Galvanised Steel, Cast Iron.

A



**PROPRIETARY AND CONFIDENTIAL**  
 THE INFORMATION CONTAINED IN THIS DRAWING IS THE SOLE PROPERTY OF <INSERT COMPANY NAME HERE>. ANY REPRODUCTION IN PART OR AS A WHOLE WITHOUT THE WRITTEN PERMISSION OF <INSERT COMPANY NAME HERE> IS PROHIBITED.

		UNLESS OTHERWISE SPECIFIED:		NAME	DATE
		DIMENSIONS ARE IN INCHES TOLERANCES: FRACTIONAL ± ANGULAR: MACH ± BEND ± TWO PLACE DECIMAL ± THREE PLACE DECIMAL ±		DRAWN	
		INTERPRET GEOMETRIC TOLERANCING PER:		CHECKED	
		MATERIAL		ENG APPR.	
		FINISH		MFG APPR.	
NEXT ASSY	USED ON			Q.A.	
APPLICATION		DO NOT SCALE DRAWING		COMMENTS:	

TITLE:			
SIZE	DWG. NO.	REV	
<b>A</b>	<b>AC150PPB</b>		
SCALE: 1:5	WEIGHT:	SHEET 1 OF 1	

A

2

1