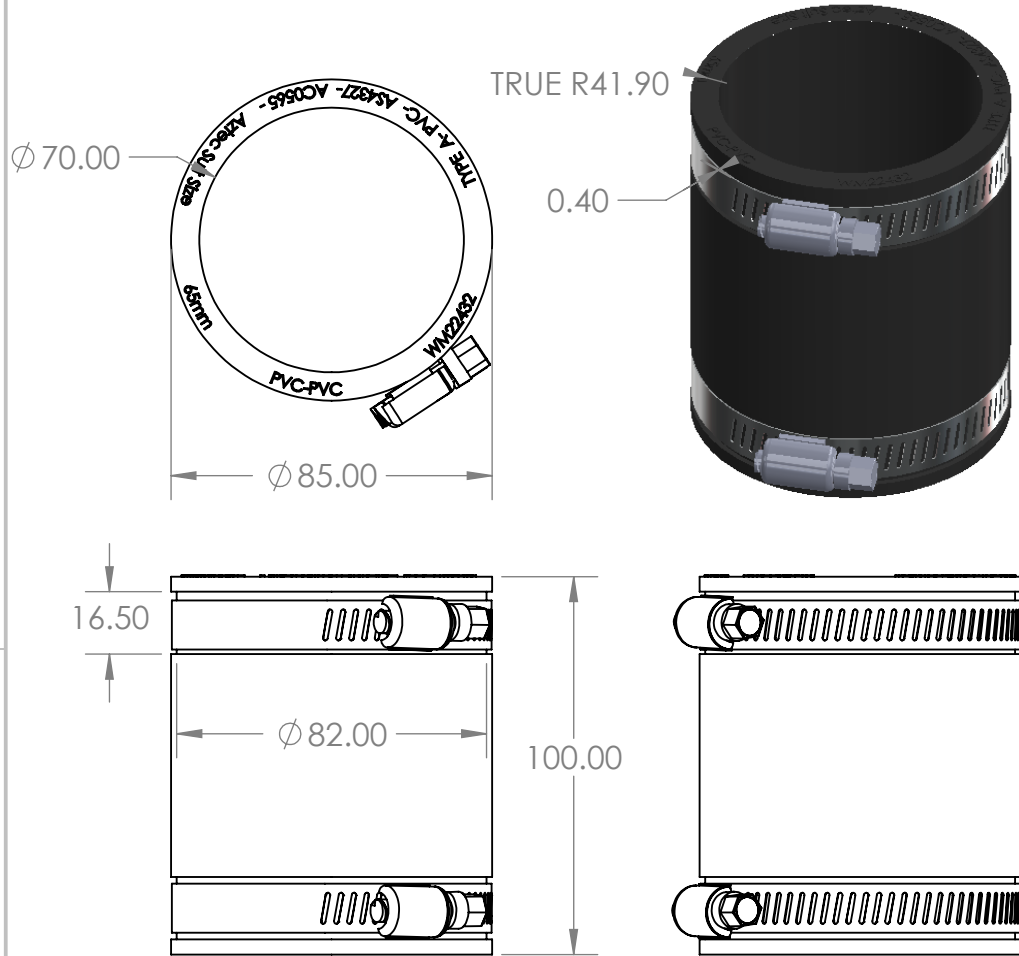


2

1

Aztec Aussie Connector 65mm PVC Black



Description

- Available in two colour options, black or grey.
- Certified to AS/NZS 4327-1995.
- Suitable for low pressure drainage systems.
- Suits multiple pipe materials.
- Below and above ground applications.
- 316 stainless steel bands.
- Temperature range 38c continuous – 60c intermittently.

FAQs

- Q. What is the use of the flexible connector?**
 A. For the joining of applications of pipes below and above ground. Flexible connectors are suitable for low pressure drainage systems.
- Q. What is Aztec's Aussie Connectors pipe range?**
 A. 32mm – 300mm
- Q. Are these suitable for potable water?**
 A. Testing is not a requirement under the current watermark certificate. Aussie Connectors are not advised to be used on potable waterlines.
- Q. What is the pipe suitability?**
 A. PVC, Copper, Galvanised Steel, Cast Iron.

B

B

A

A



PROPRIETARY AND CONFIDENTIAL

THE INFORMATION CONTAINED IN THIS DRAWING IS THE SOLE PROPERTY OF AZTEC AUSTRALASIA. ANY REPRODUCTION IN PART OR AS A WHOLE WITHOUT THE WRITTEN PERMISSION OF AZTEC AUSTRALASIA IS PROHIBITED.

		UNLESS OTHERWISE SPECIFIED:		NAME	DATE
		DIMENSIONS ARE IN INCHES TOLERANCES: FRACTIONAL ± ANGULAR: MACH ± BEND ± TWO PLACE DECIMAL ± THREE PLACE DECIMAL ±	DRAWN		
		INTERPRET GEOMETRIC TOLERANCING PER:	CHECKED		
		MATERIAL	ENG APPR.		
		FINISH	MFG APPR.		
			Q.A.		
			COMMENTS:		
NEXT ASSY	USED ON				
APPLICATION		DO NOT SCALE DRAWING			

TITLE:		
SIZE	DWG. NO.	REV
A	AC065PPB	
SCALE: 1:2	WEIGHT:	SHEET 1 OF 1

2

1