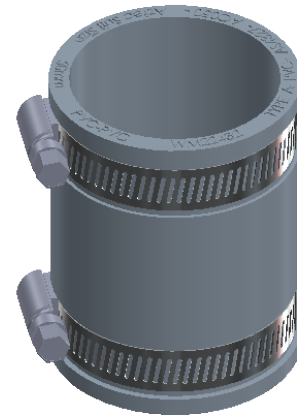
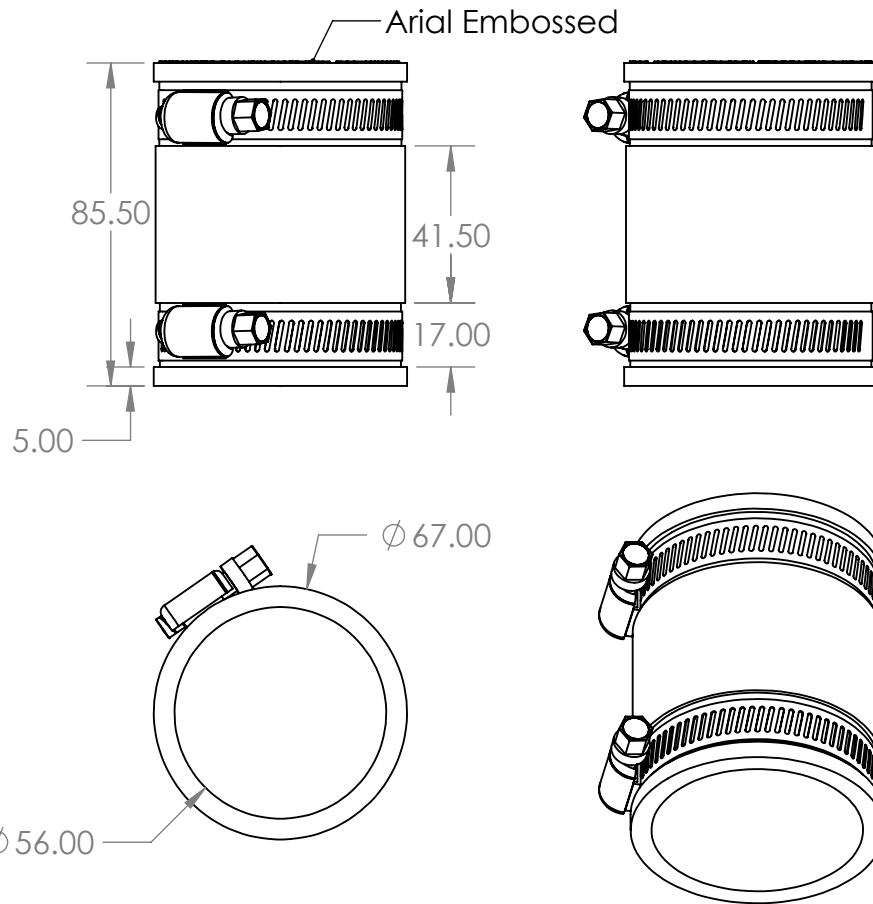


Aztec Aussie Connector 50mm PVC Grey



Description

- Available in two colour options, black or grey.
- Certified to AS/NZS 4327-1995.
- Suitable for low pressure drainage systems.
- Suits multiple pipe materials.
- Below and above ground applications.
- 316 stainless steel bands.
- Temperature range 38c continuous – 60c intermittently.

FAQs

- Q. What is the use of the flexible connector?
 A. For the joining of applications of pipes below and above ground. Flexible connectors are suitable for low pressure drainage systems.
- Q. What is Aztec's Aussie Connectors pipe range?
 A. 32mm – 300mm
- Q. Are these suitable for potable water?
 A. Testing is not a requirement under the current watermark certificate. Aussie Connectors are not advised to be used on potable waterlines.
- Q. What is the pipe suitability?
 A. PVC, Copper, Galvanised Steel, Cast Iron.

B

B

A

A



PROPRIETARY AND CONFIDENTIAL
 THE INFORMATION CONTAINED IN THIS DRAWING IS THE SOLE PROPERTY OF AZTEC AUSTRALASIA. ANY REPRODUCTION IN PART OR AS A WHOLE WITHOUT THE WRITTEN PERMISSION OF AZTEC AUSTRALASIA IS PROHIBITED.

| | | | | | |
|-------------|---------|---|-----------|------|------|
| | | UNLESS OTHERWISE SPECIFIED: | | NAME | DATE |
| | | DIMENSIONS ARE IN INCHES TOLERANCES: FRACTIONAL ± ANGULAR: MACH ± BEND ± TWO PLACE DECIMAL ± THREE PLACE DECIMAL ± | DRAWN | | |
| | | INTERPRET GEOMETRIC TOLERANCING PER: | CHECKED | | |
| | | MATERIAL | ENG APPR. | | |
| | | FINISH | MFG APPR. | | |
| NEXT ASSY | USED ON | | Q.A. | | |
| | | | COMMENTS: | | |
| APPLICATION | | DO NOT SCALE DRAWING | | | |

| | | |
|------------|-----------------|--------------|
| TITLE: | | |
| SIZE | DWG. NO. | REV |
| A | AC050PPG | |
| SCALE: 1:2 | WEIGHT: | SHEET 1 OF 1 |