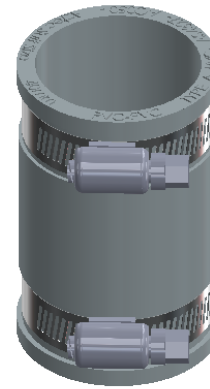
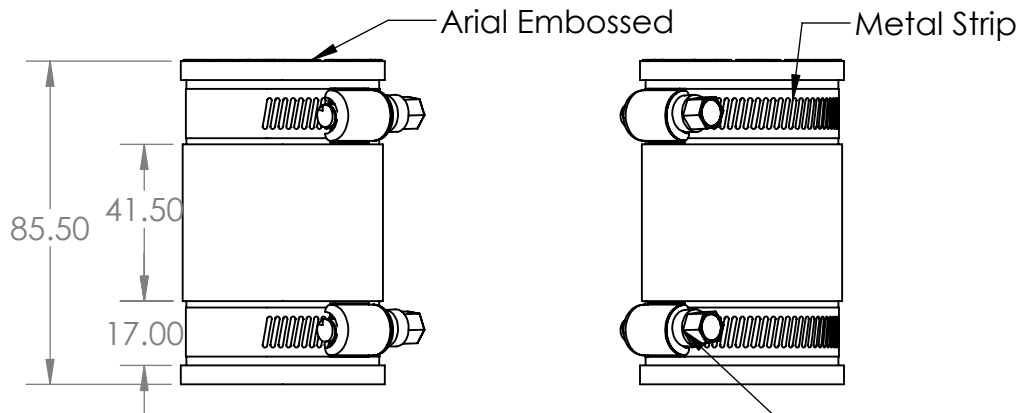


### Aztec Aussie Connector 40mm PVC Grey

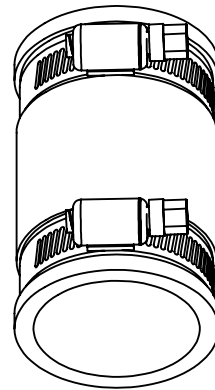
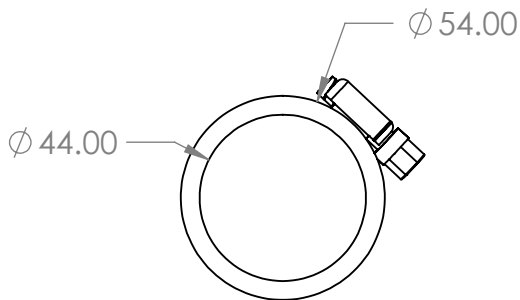


#### Description

- Available in two colour options, black or grey.
- Certified to AS/NZS 4327-1995.
- Suitable for low pressure drainage systems.
- Suits multiple pipe materials.
- Below and above ground applications.
- 316 stainless steel bands.
- Temperature range 38c continuous - 60c intermittently.

B

B



Screw Assembly

#### FAQs

**Q. What is the use of the flexible connector?**

A. For the joining of applications of pipes below and above ground. Flexible connectors are suitable for low pressure drainage systems.

**Q. What is Aztec's Aussie Connectors pipe range?**

A. 32mm - 300mm

**Q. Are these suitable for potable water?**

A. Testing is not a requirement under the current watermark certificate. Aussie Connectors are not advised to be used on potable waterlines.

**Q. What is the pipe suitability?**

A. PVC, Copper, Galvanised Steel, Cast Iron.

A

A



**PROPRIETARY AND CONFIDENTIAL**

THE INFORMATION CONTAINED IN THIS DRAWING IS THE SOLE PROPERTY OF AZTEC AUSTRALASIA. ANY REPRODUCTION IN PART OR AS A WHOLE WITHOUT THE WRITTEN PERMISSION OF AZTEC AUSTRALASIA IS PROHIBITED.

		UNLESS OTHERWISE SPECIFIED:		NAME	DATE		
		DIMENSIONS ARE IN INCHES TOLERANCES: FRACTIONAL ± ANGULAR: MACH ± BEND ± TWO PLACE DECIMAL ± THREE PLACE DECIMAL ±		DRAWN		TITLE:	
		INTERPRET GEOMETRIC TOLERANCING PER:		CHECKED			
		MATERIAL		ENG APPR.			
		FINISH		MFG APPR.			
NEXT ASSY	USED ON			Q.A.			
APPLICATION		DO NOT SCALE DRAWING		COMMENTS:		SIZE	DWG. NO.
						<b>A AC040PPG</b>	
						SCALE: 1:2	WEIGHT:
						SHEET 1 OF 1	
						REV	